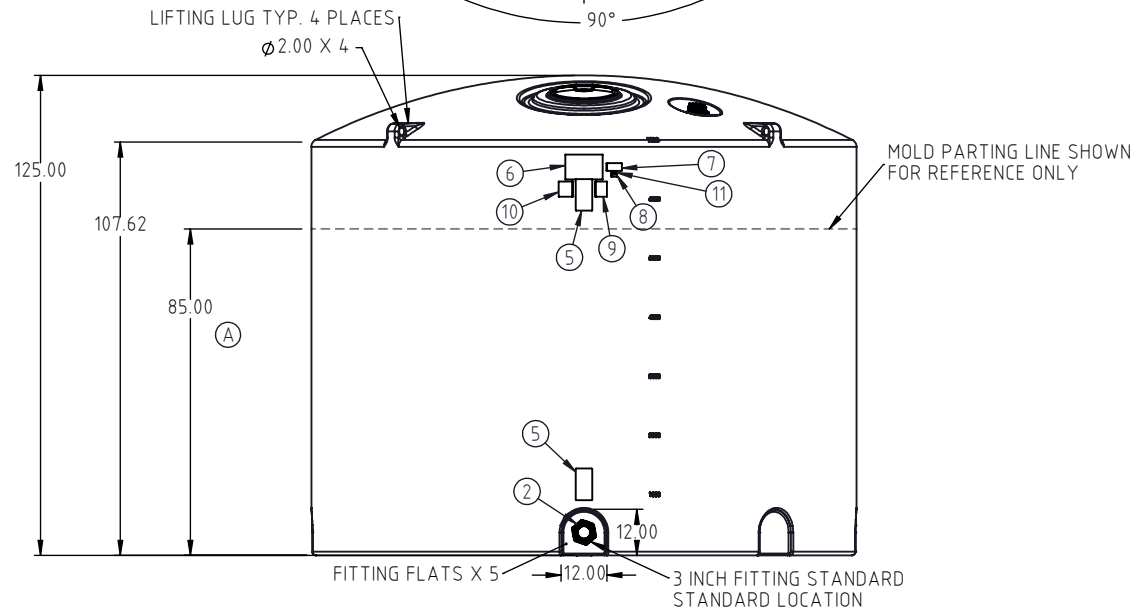
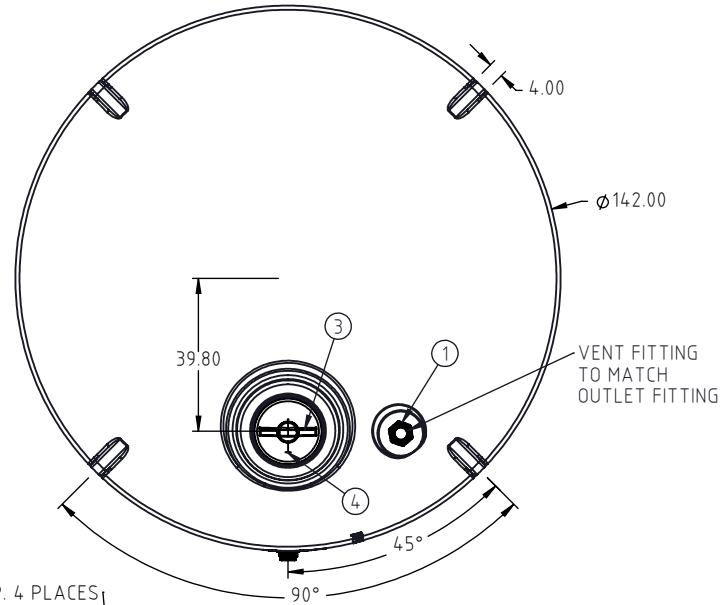

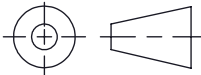


Copyright. All information furnished within this document, electronic file or design correspondence is the property of Den Hartog industries, Inc. and shall not be used, disclosed to others or copied without the expressed written consent of Den Hartog Industries, Inc.

ITEM NO.	PART NUMBER	DESCRIPTION	QTY.
1	12528	BULKHEAD, 3" FITTING	1
2	13811	3" BULHEAD W/3" LONG SYPH	1
3	10528	LID, 16" VENTED	1
4	10534	LANYARD, LONG BLACK	1
5	10353	LABEL, WARNING	2
6	10356	LABEL, ACE LARGE	1
7	10357	LABEL, BARCODE 4" X 2"	2
8	14935	LABEL, PROP 65	1
9	19496	NSF/ANSI/CAN 61 MARKING LABEL	1
10	19520	LABEL, SPECIFIC GRAVITY 1.7	1
11	XXXX	LABEL, INSPECTION	1



DRAWN / DATE ADH 7/10/2013			MATERIAL : HDPE			 <p>Den Hartog INDUSTRIES, INC. Ace Roto-Mold • Injection Molding • Blow Molding • Sowjoy 4010 HOSPERS DRIVE S. BOX 425, HOSPERS, IOWA 51238-0425</p>
APPROD. / DATE REH 8/7/2013			NOTES: 0.77" WALL AT FLAT			
A	UPDATED DRAWING TEMPLATE, 85.00 WAS 89.00. REMOVED RIBS ON TANK.	AJH	7/22/2025	4752	DESCRIPTION 7000 GALLON VERTICAL TANK WITH DOME TOP	
REV.	DESCRIPTION	BY	DATE	CCN	SCALE N.S.	SHEET 1 OF 1
ALL DIMENSIONS ARE IN DECIMAL INCHES TOLERANCES UNLESS OTHERWISE SPECIFIED		THIRD ANGLE PROJECTION ANSI 14.5M		SHOT WEIGHT: 1750.00 LBS.		PART NO. VT7000-142
POLYETHYLENE ±1% @ 68°F				SHIPPING WEIGHT: 1752.00 LBS.		
METAL DECIMAL ± .125" FRACTION ± 1/4" ANGLE ± 1°				FINISH:		