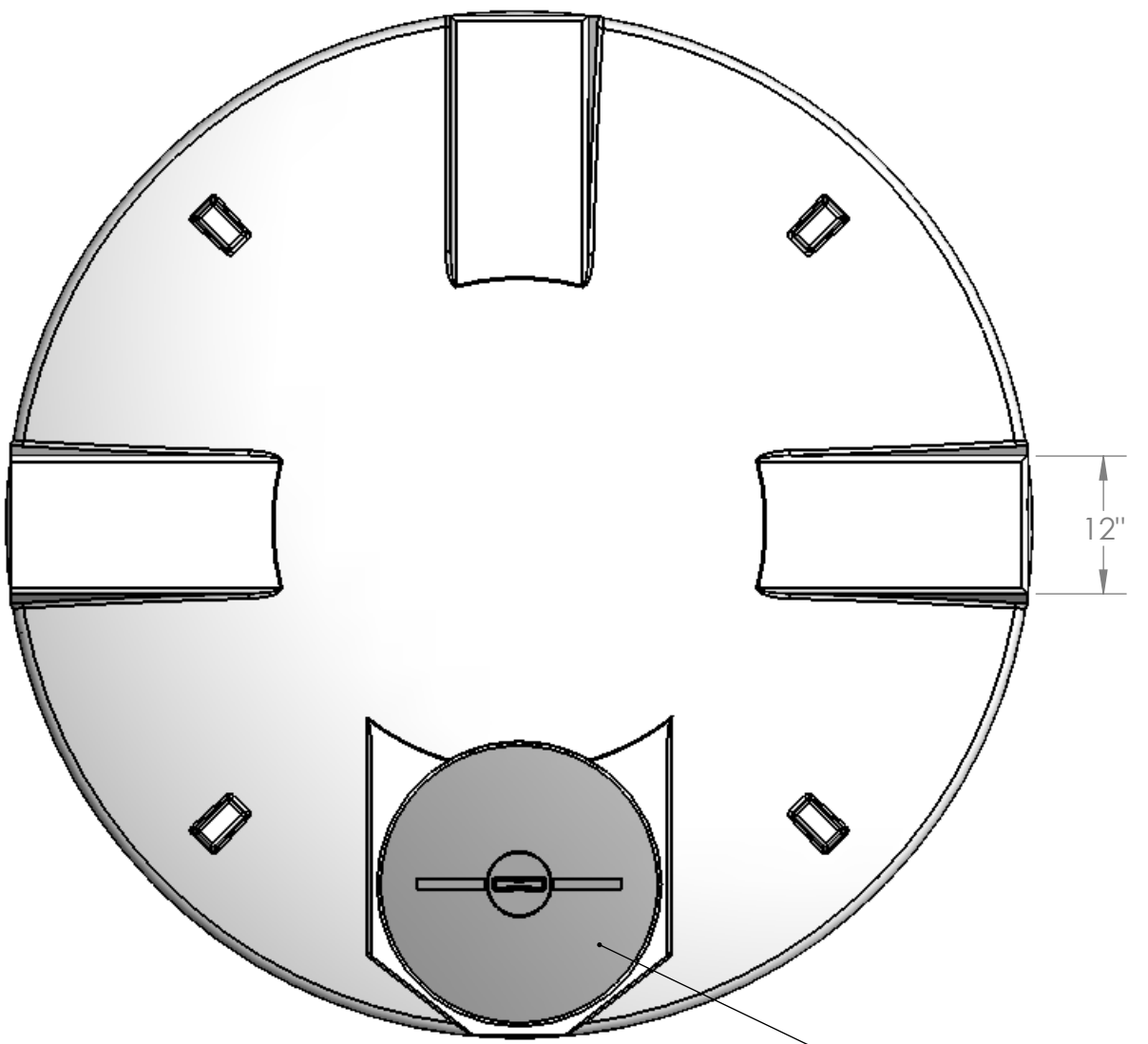


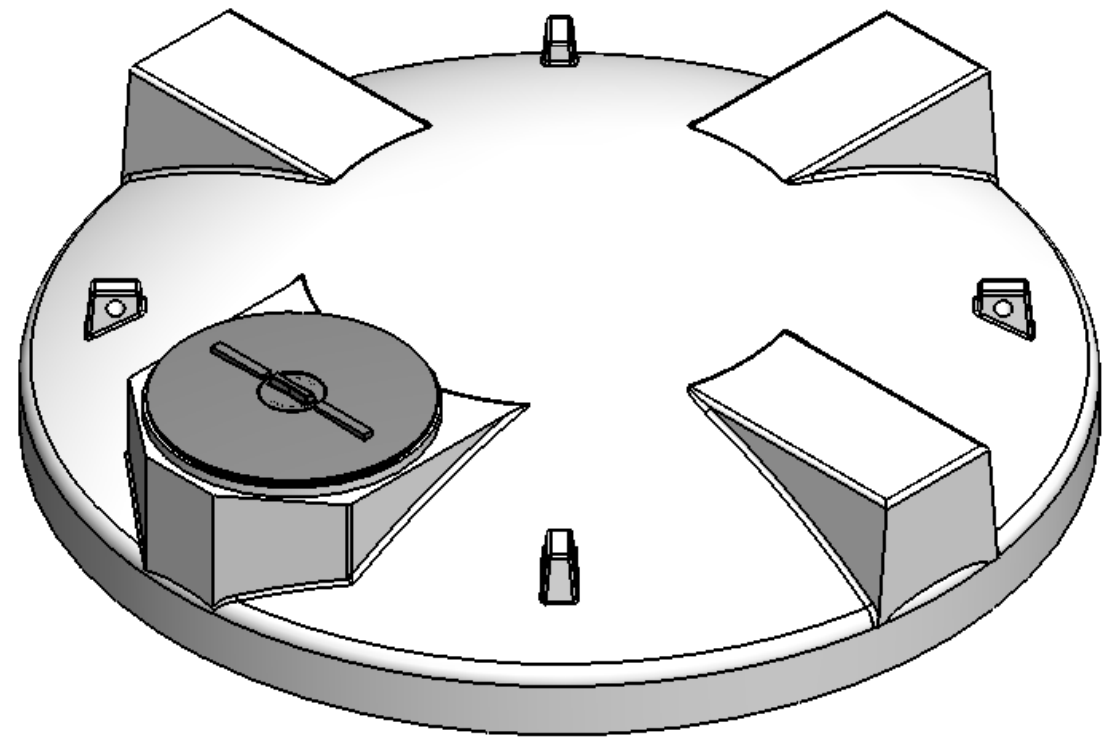
8 7 6 5 4 3 2 1

D
C
B
A

D
C
B
A

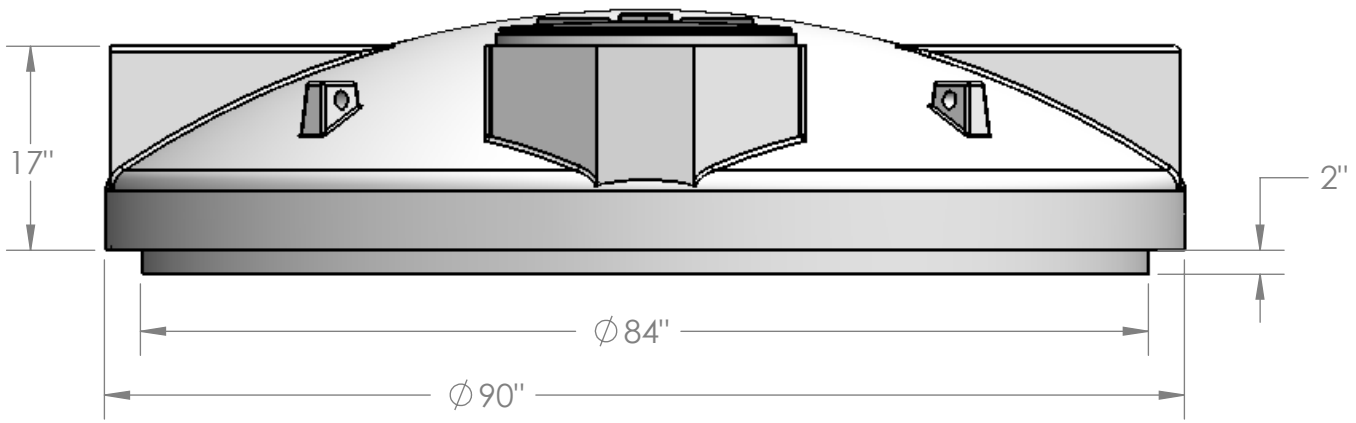


24" THREADED LID



NOTES:

- 1. MATERIAL: HDPE
- 2. MOLDED WT. : 142 LBS



PROPRIETARY AND CONFIDENTIAL
 THE INFORMATION CONTAINED IN THIS DRAWING IS THE SOLE PROPERTY OF <INSERT COMPANY NAME HERE>. ANY REPRODUCTION IN PART OR AS A WHOLE WITHOUT THE WRITTEN PERMISSION OF <INSERT COMPANY NAME HERE> IS PROHIBITED.

		UNLESS OTHERWISE SPECIFIED:		NAME	DATE	CUSTOM ROTO-MOLDING, INC.
		DIMENSIONS ARE IN INCHES TOLERANCES: FRACTIONAL ± ANGULAR: MACH ± BEND ± TWO PLACE DECIMAL ± THREE PLACE DECIMAL ±		DRAWN	8-18-11	
		INTERPRET GEOMETRIC TOLERANCING PER:		CHECKED		TITLE:
		MATERIAL		ENG APPR.		90" DIA. OPEN TOP TANK LID
		FINISH		MFG APPR.		
NEXT ASSY	USED ON			Q.A.		SIZE
APPLICATION		DO NOT SCALE DRAWING		COMMENTS:		DWG. NO.
						REV
						SCALE: 1:24 WEIGHT:
						SHEET 1 OF 1

8 7 6 5 4 3 2 1