
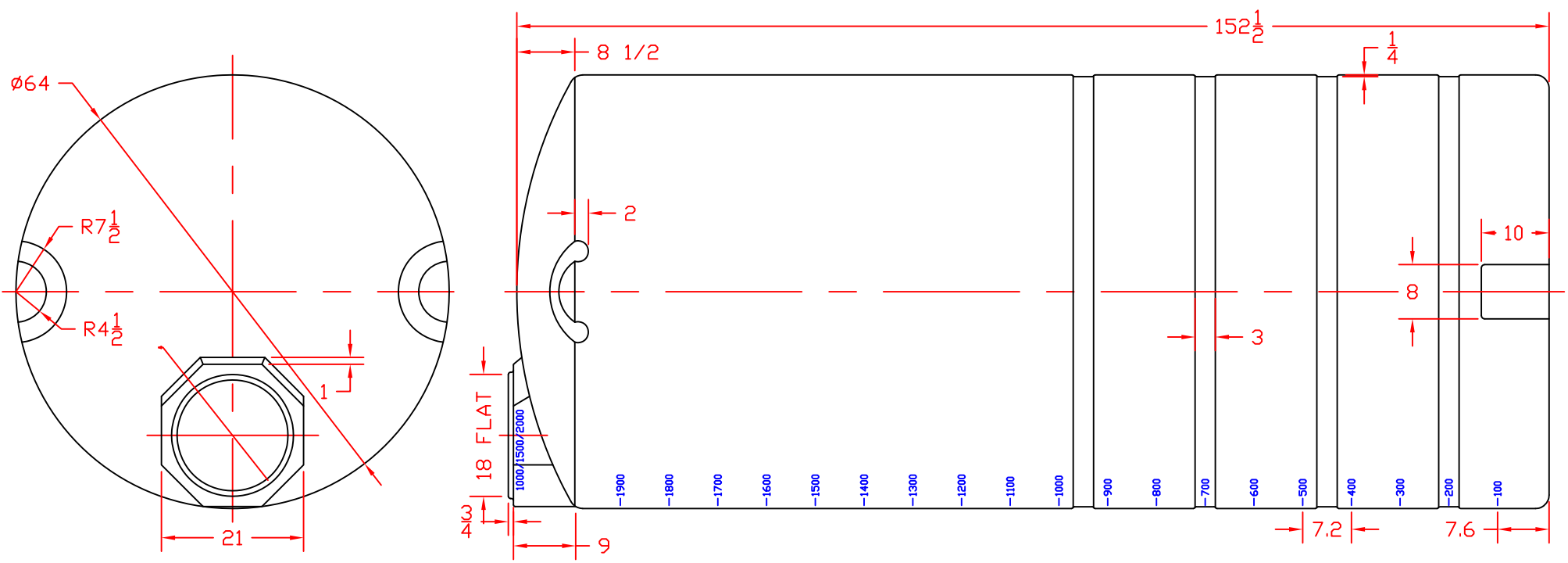



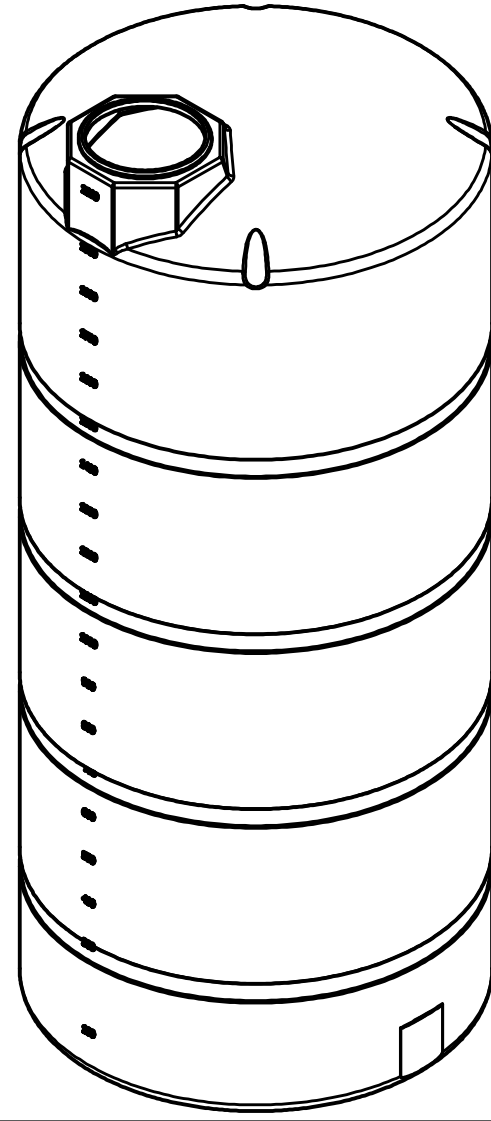
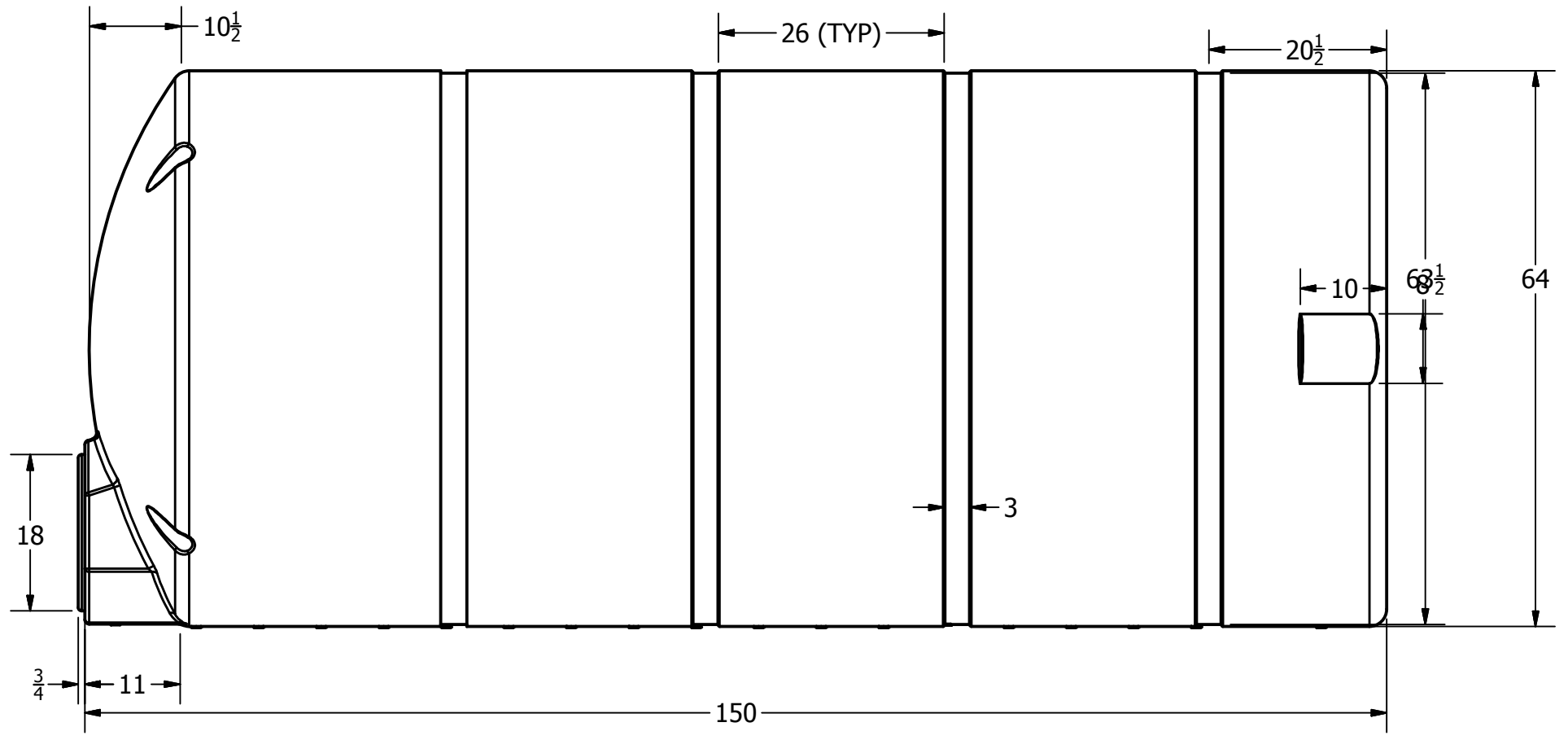
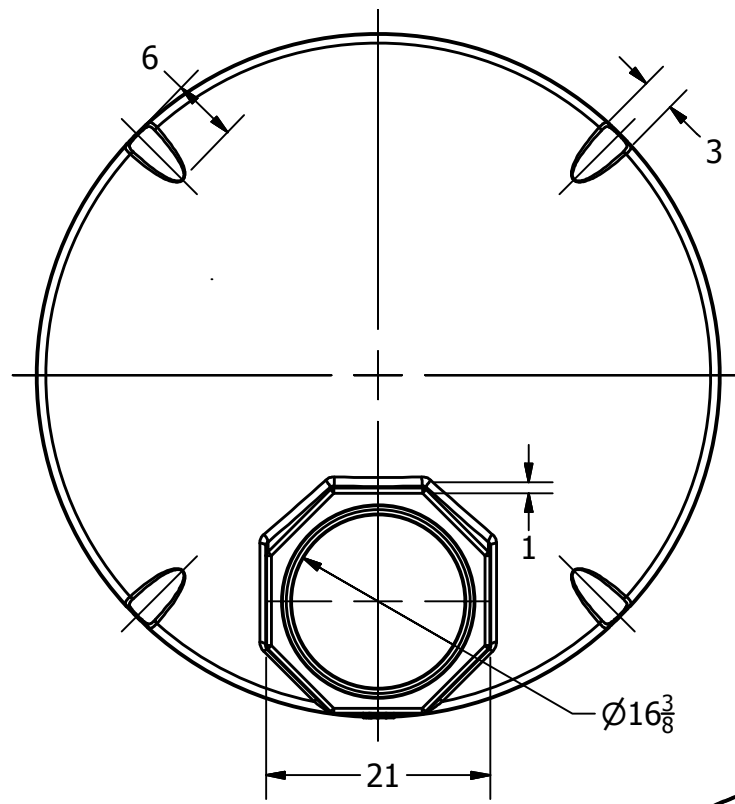
FOB HANFORD, CA

REVISION HISTORY			
REV	DESCRIPTION	DATE	AUTHOR
A	REDRAWN	7/9/2013	Michael Holden
DRAWN	Jerry Paulson	5/10/1996	 NORWESCO, INC. SAINT BONIFACIUS, MN TITLE 2000 GALLON VERTICAL STORAGE TANK
CHECKED			
QA			
MFG			
APPROVED			
	SIZE	DWG NO	REV
	B		A
	SCALE: 1/16		SHEET 1 OF 1


REVISIONS				
ZONE	REV	DESCRIPTION	DATE	APPROVED

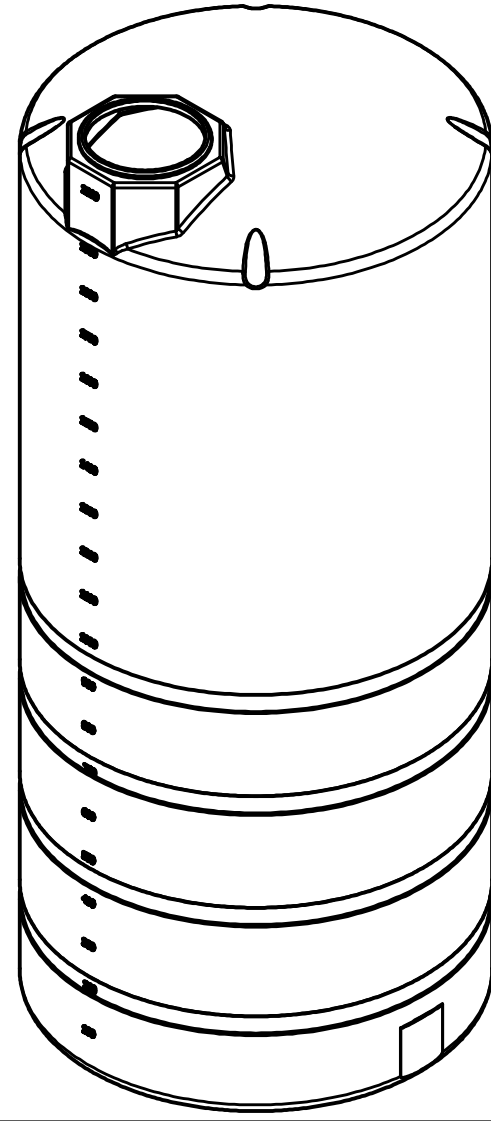
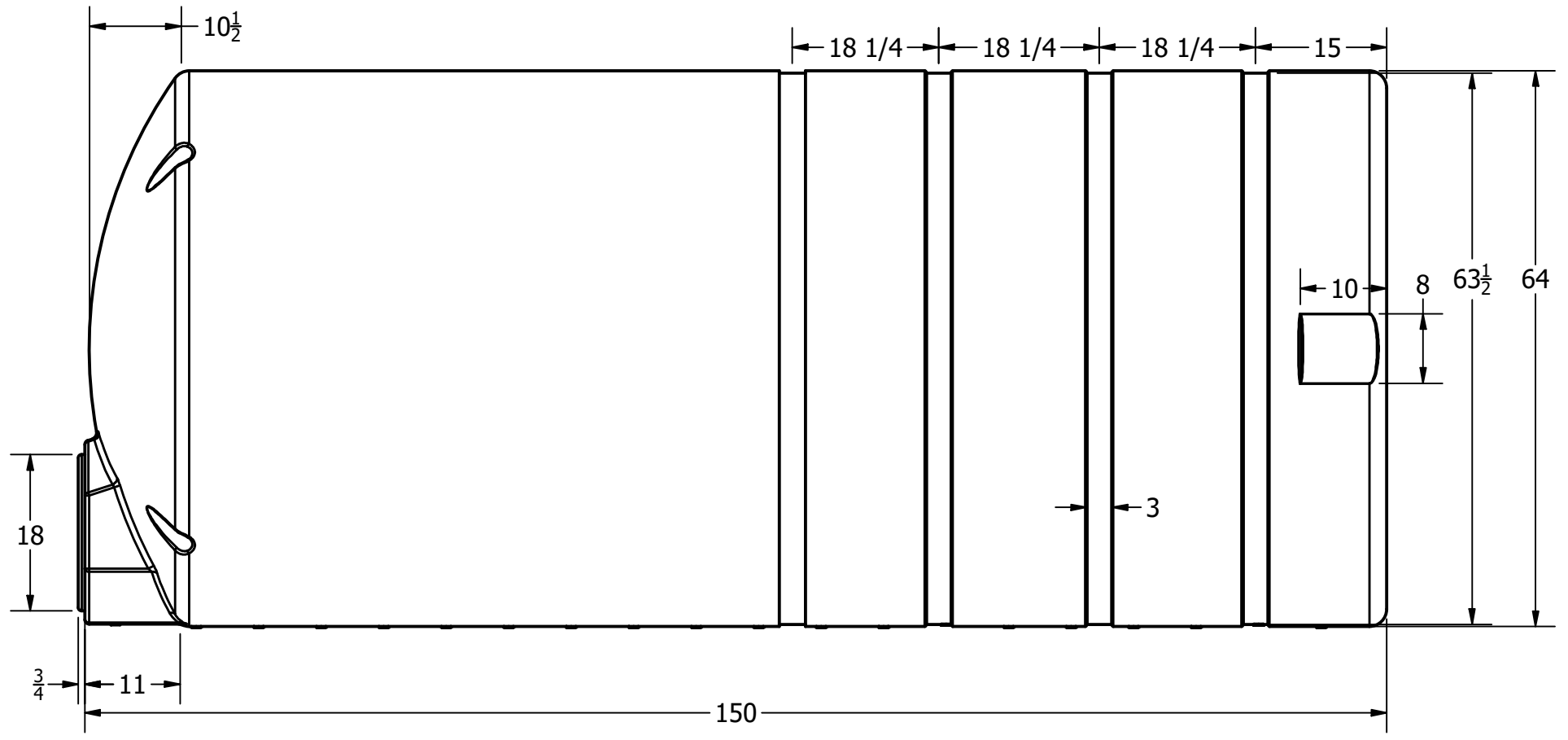
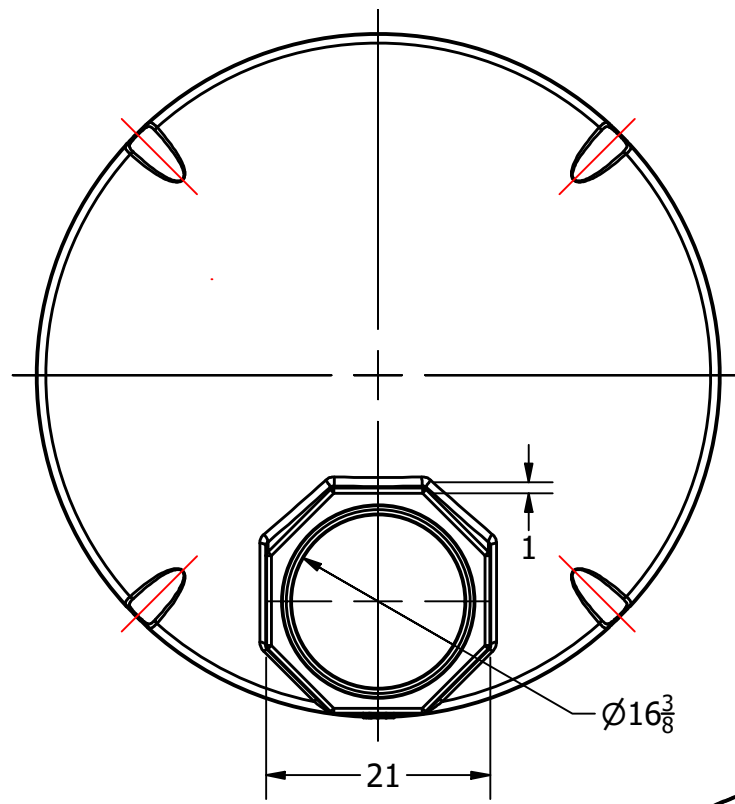


JTP 12MAR01		 ST. BONIFACIUS, MN		
		2000 GALLON VERTICAL STORAGE TANK		
SCALE 1/16	SIZE B	FSCM NO.	DWG NO.	REV
SHEET				




FOB ST. BONIFACIUS, MN

REVISION HISTORY			
REV	DESCRIPTION	DATE	AUTHOR
A	REDRAWN	10/28/2014	Liv Oltean
DRAWN	Jerry Paulson	5/10/1996	 NORWESCO, INC. SAINT BONIFACIUS, MN TITLE 2000 GALLON VERTICAL STORAGE TANK
CHECKED			
QA			
MFG			
APPROVED			
	SIZE	DWG NO	REV
	B		A
	SCALE: 1/16		SHEET 1 OF 1



LANCASTER, OH

REVISION HISTORY				
REV	DESCRIPTION	DATE	AUTHOR	
A	REDRAWN	7/9/2013	Michael Holden	
C	MODIFY RIB LOCATION	9/12/2022	LO	
DRAWN Jerry Paulson		5/10/1996	 NORWESCO, INC. SAINT BONIFACIUS, MN TITLE 2000 GALLON VERTICAL STORAGE TANK	
CHECKED				
QA				
MFG				
APPROVED				
		SIZE B	DWG NO 47109	REV C
		SCALE: 1/16	SHEET 1 OF 1	