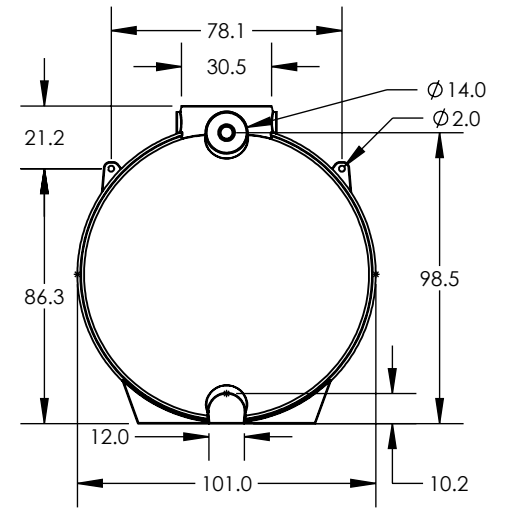
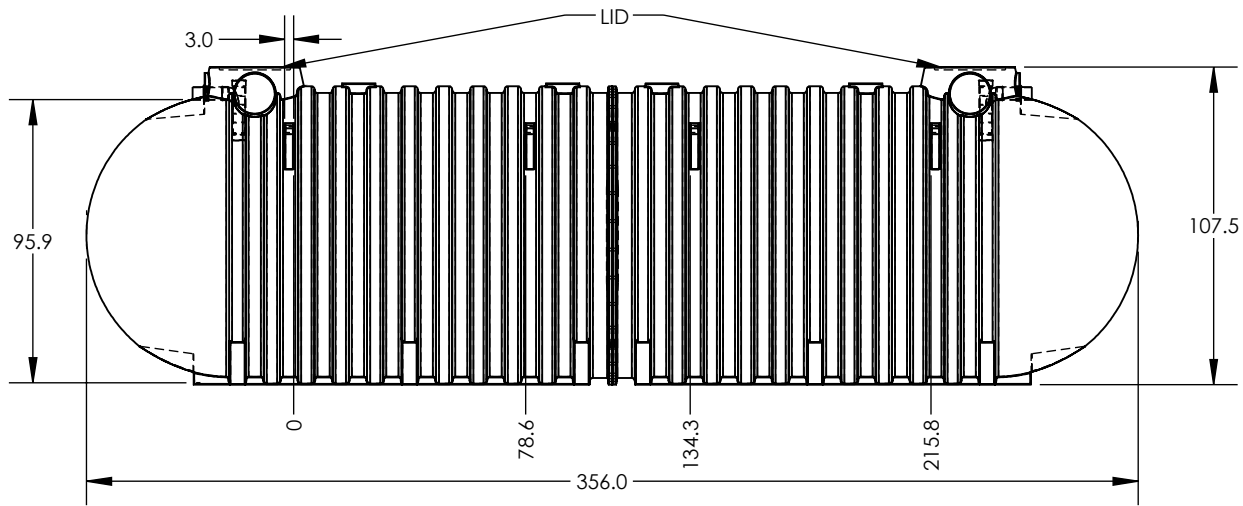


MATERIAL: HDPE
 MAX TANK CAPACITY: 10343 GALLONS
 CAPACITY AT 95.9": 10220 GALLONS
 MAX BURIAL DEPTH: 24"



ALL DIMENSIONS ARE IN INCHES, NOMINAL, & SUBJECT TO CHANGE WITHOUT NOTICE.
 ALL DIMENSIONS ON ROTATIONAL MOLDED PARTS ARE SUBJECT TO A ± 3% TOLERANCE.

DO NOT SCALE		DRAWN BY	TITLE:		REVISION
STATUS: Released		TJK	10000 Below Ground Assembly		A
© TANK HOLDING, CORP, 2023		 A BRAND OF TANK HOLDING CORP.		SHEET	
ALL DIMENSIONS, DESIGNS, AND INFORMATION ON THIS PRINT MUST BE CONSIDERED PROPRIETARY TO TANK HOLDING, CORP. AND MAY NOT BE USED, COPIED, OR DISTRIBUTED WITHOUT WRITTEN PERMISSION OF AN OFFICER (OR HIS AGENT) OF THE FIRM.		NORWESCO, INC. SAINT BONIFACIUS, MN 800-328-3420 www.norwesco.com		PART NO.	1 OF 1
		45686		ENG. ID.	D012483