
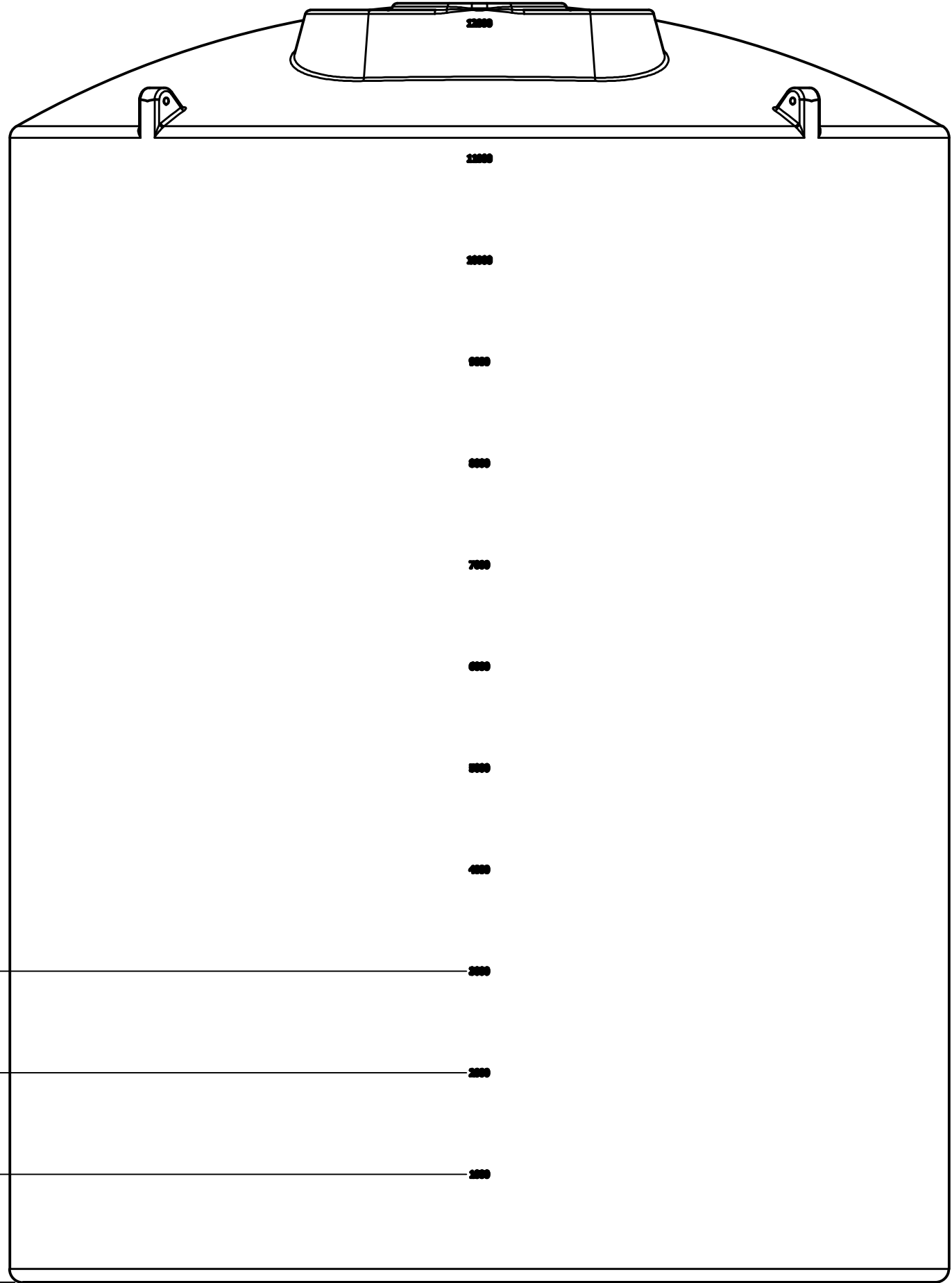


SECTION A-A
SCALE 1:12


FOB HANFORD, CA

REVISION HISTORY				
REV	DESCRIPTION	DATE	AUTHOR	
A	REVISED FOR 22" LID	7/11/2013	Michael Holden	
DRAWN Jerry Paulson		4/28/1993	 NORWESCO, INC. SAINT BONIFACIUS, MN TITLE 12000 GALLON VERTICAL TANK	
CHECKED				
QA				
MFG				
APPROVED				
		SIZE B	DWG NO	REV A
		SCALE: 1/16	SHEET 1 OF 2	

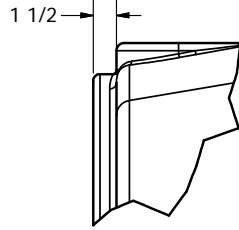
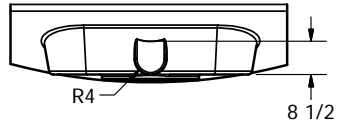


15 1/4

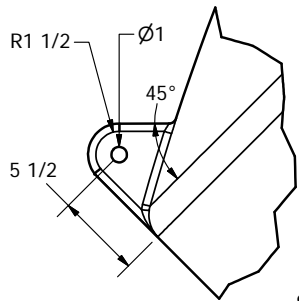
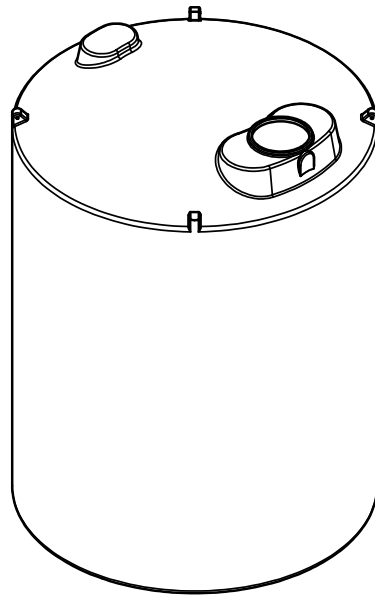
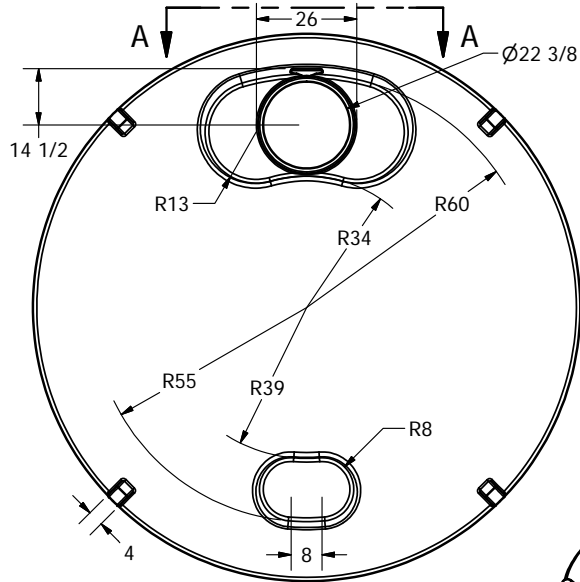
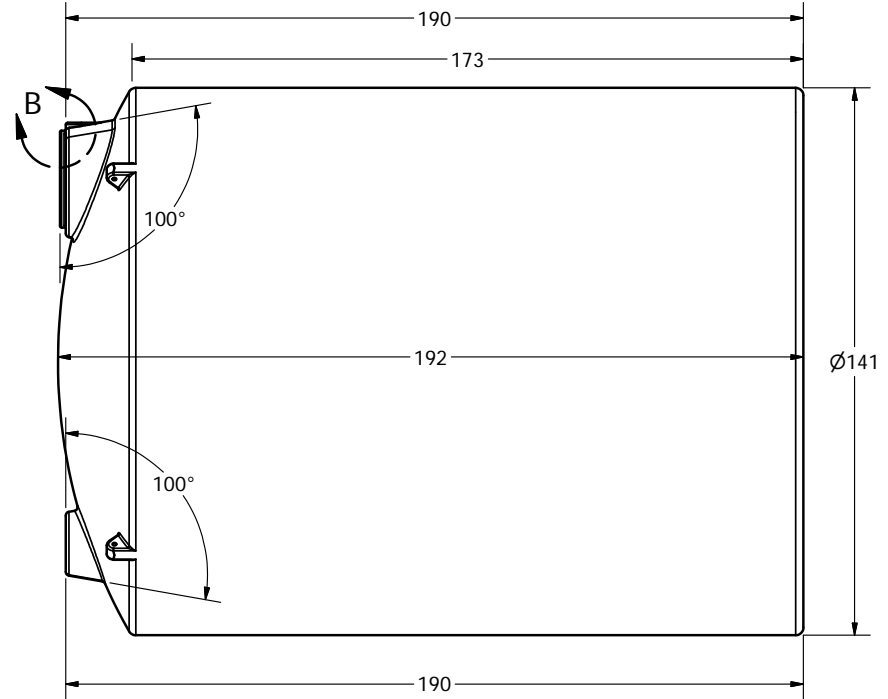
16 1/4

DRAWN Jerry Paulson	4/28/1993			
CHECKED		NORWESCO, INC. SAINT BONIFACIUS, MN		
QA		TITLE		
MFG		12000 GALLON VERTICAL TANK		
APPROVED				
		SIZE B	DWG NO	REV A
		SCALE: 1/16	SHEET 2 OF 2	


VIEW A-A
SCALE 1/32



DETAIL B
SCALE 1 / 8



DETAIL D
SCALE 1 / 8

DRAWN Jerry Paulson	1/29/2014			
CHECKED		NORWESCO, INC. SAINT BONIFACIUS, MN		
QA		TITLE		
MFG		12,000 GALLON VERTICAL INDUSTRIAL TANK		
APPROVED		SIZE	DWG NO	REV
		B		
SCALE: 1/32		SHEET 1 OF 1		