
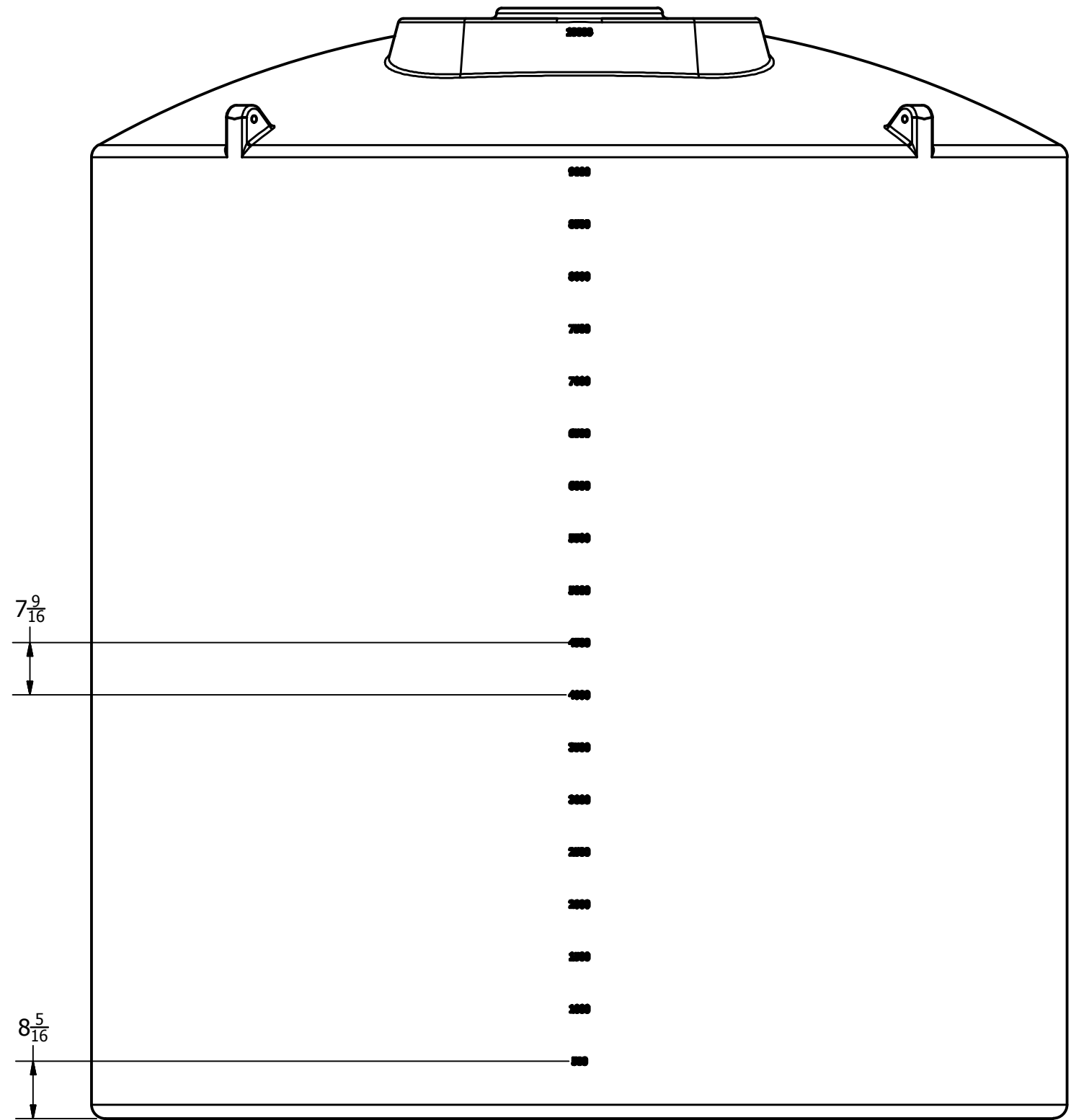



SECTION A-A
SCALE 1:12

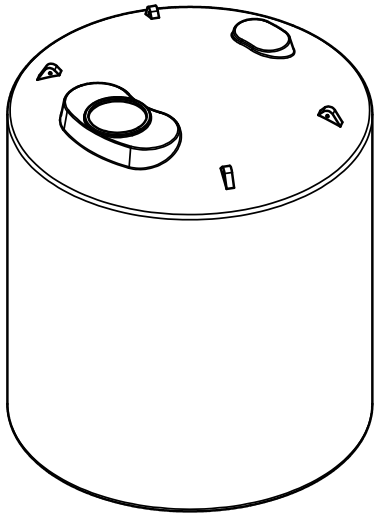
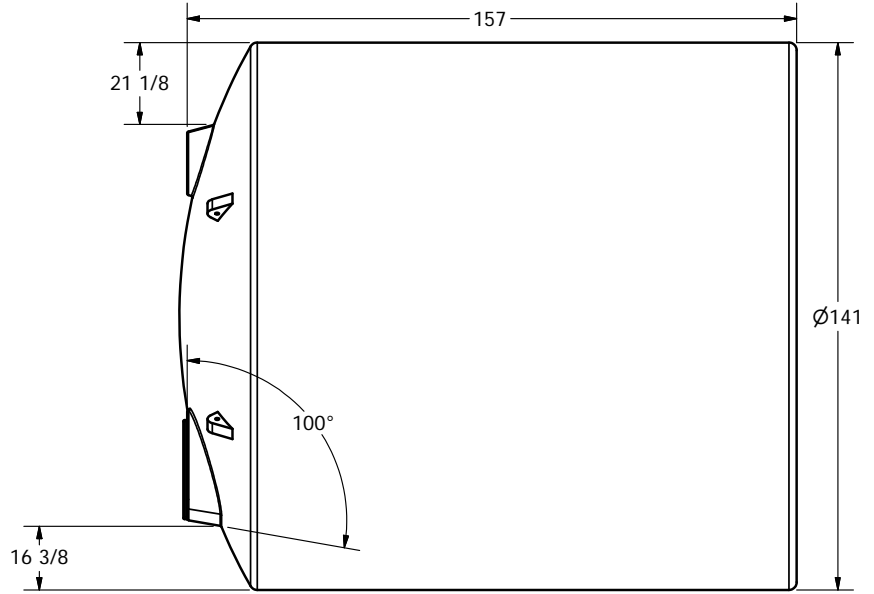
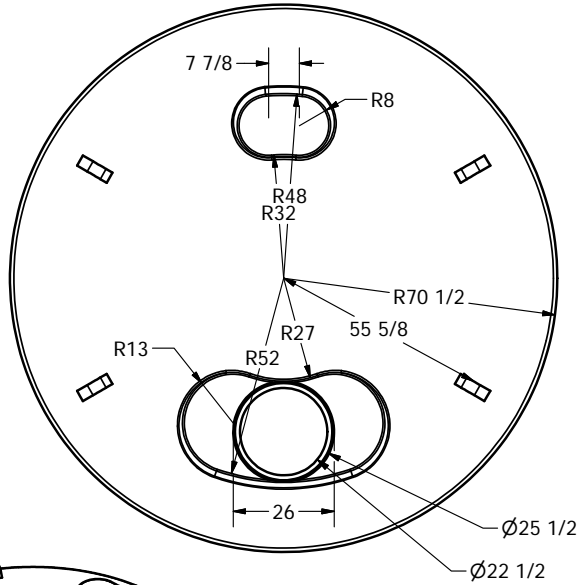
FOB HANFORD, CA

REVISION HISTORY			
REV	DESCRIPTION	DATE	AUTHOR
A	REDRAWN	6/28/2013	Michael Holden
DRAWN	Jerry Paulson	2/23/2001	 NORWESCO, INC. SAINT BONIFACIUS, MN TITLE 10000 GALLON VERTICAL TANK
CHECKED			
QA			
MFG			
APPROVED			
	SIZE	DWG NO	REV
	B		A
	SCALE: 1/16		SHEET 1 OF 2




DRAWN Jerry Paulson	2/23/2001			
CHECKED		NORWESCO, INC. SAINT BONIFACIUS, MN		
QA		TITLE		
MFG		10000 GALLON VERTICAL TANK		
APPROVED				
		SIZE	DWG NO	REV
		B		A
		SCALE: 1/16		SHEET 2 OF 2

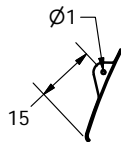
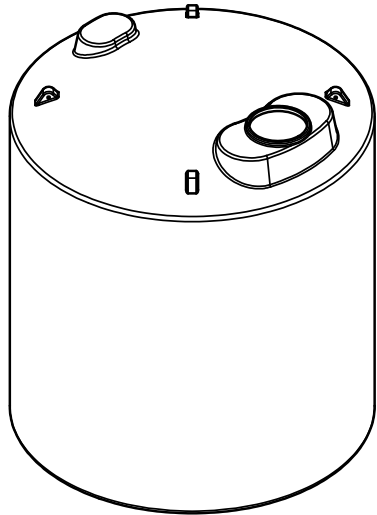
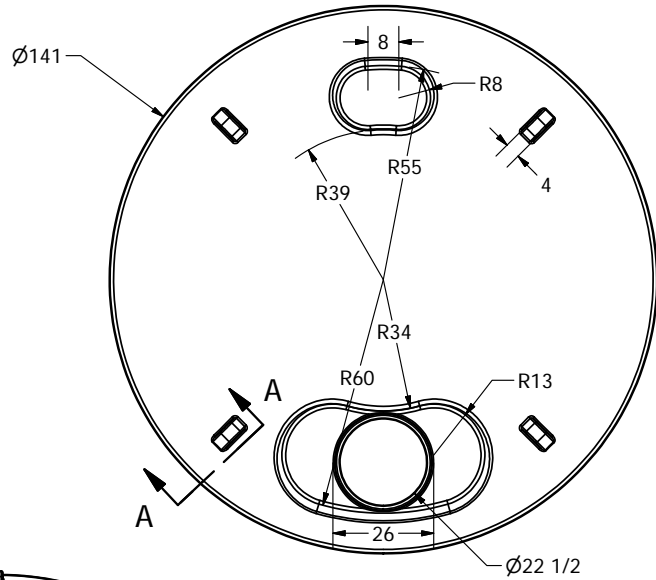
REV	DESCRIPTION	AUTHOR	DATE
A	REVISED FOR 22" LID	Jerry Paulson	29JAN2014



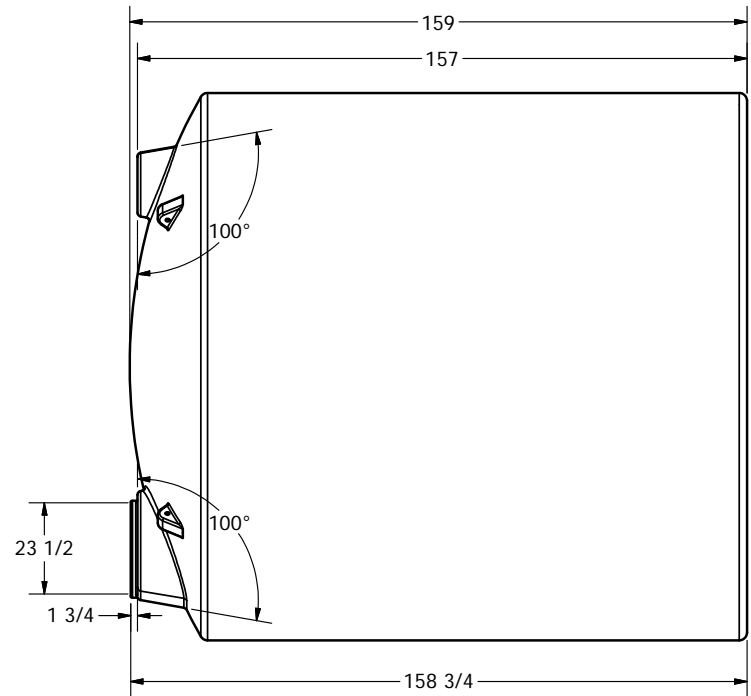
FOB ST BONIFACIUS, MN

DRAWN Jerry Paulson	10/28/2008	 NORWESCO NORWESCO, INC., ST. BONIFACIUS, MN
CHECKED		
QA		TITLE
MFG		10,000 GALLON VERTICAL TANK
APPROVED		
		SIZE B
		DWG NO
		REV A
		SCALE: 1/32
		SHEET 1 OF 1


REV	DESCRIPTION	DATE	AUTHOR
A	LID REVISED TO 22"	3/5/2013	Jerry Paulson



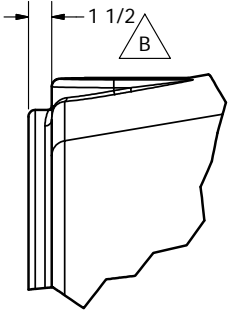
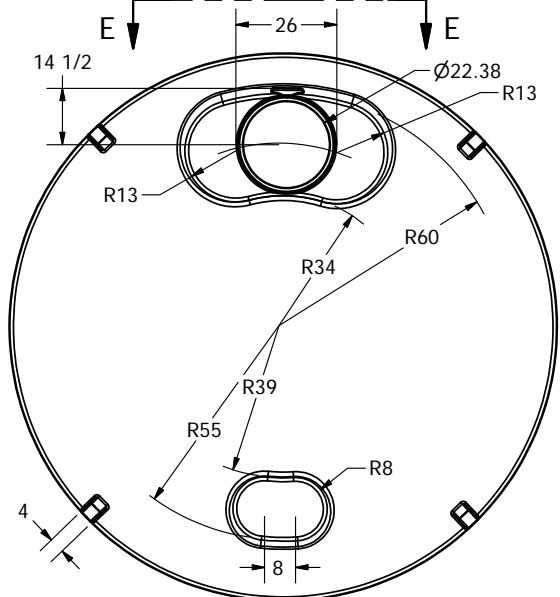
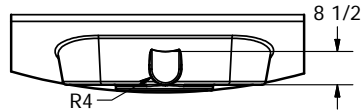
SECTION A-A
SCALE 1/32



FOB WASHINGTON COURT HOUSE, OH

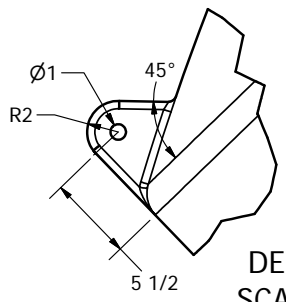
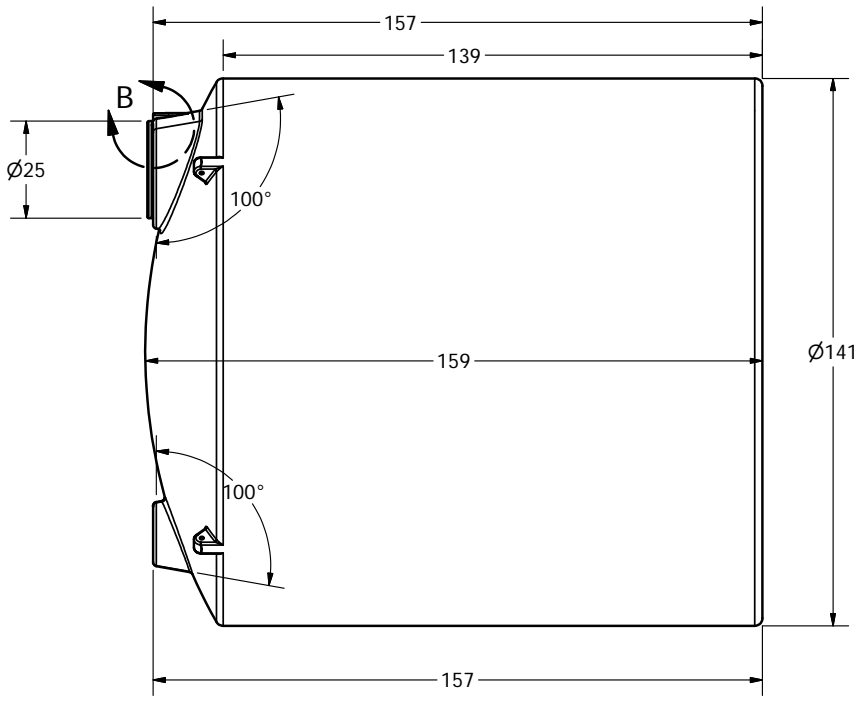
DRAWN Jerry Paulson	1/28/2010		
CHECKED		NORWESCO, INC., ST. BONIFACIUS, MN	
QA		TITLE	
MFG		10,000 GALLON VERTICAL STORAGE TANK	
APPROVED		SIZE B	REV A
		SCALE: 1/16	SHEET 1 OF 1

VIEW E-E
SCALE 1/32

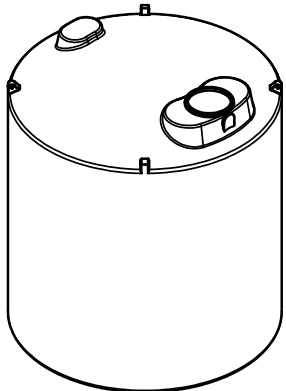


DETAIL B
SCALE 1 / 8

REVISION HISTORY			
REV	AUTHOR	DESCRIPTION	DATE
A	Jerry Paulson	Removed Washington Court House	01/28/2010
B	Jerry Paulson	Added Fitting Flat at Manway	01MAR2012
C	Jerry Paulson	REVISED LID TO 22", P/N was 40545	18APR2013



DETAIL A
SCALE 1 / 8



FOB FAIRFIELD, TX



DRAWN Jerry Paulson	10/3/2006	NORWESCO	
CHECKED		NORWESCO, INC., ST. BONIFACIUS, MN	
QA		TITLE	
MFG		10,000 GALLON VERTICAL INDUSTRIAL TANK	
APPROVED		SIZE B	REV C
		DWG NO	
SCALE: 1/32		SHEET 1 OF 1	