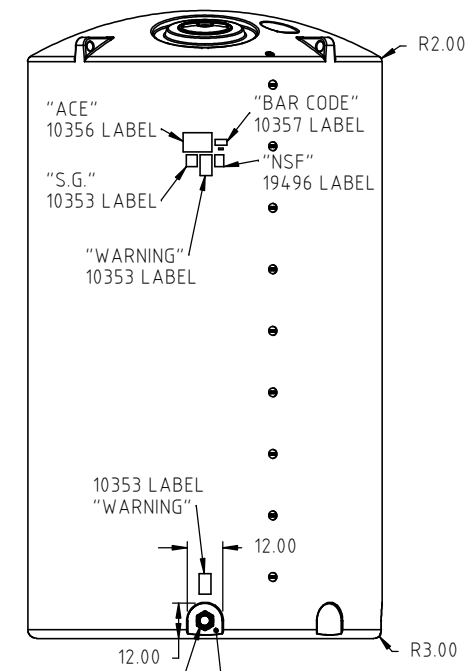
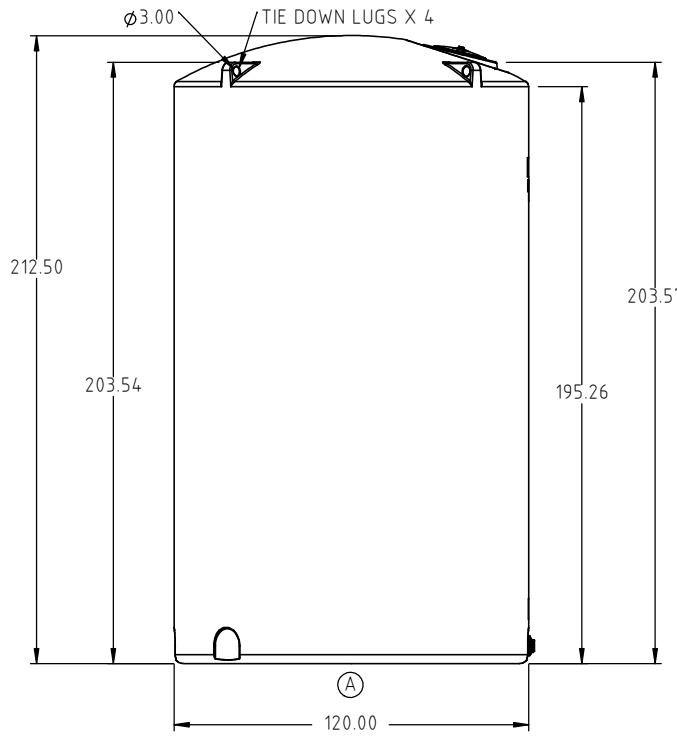
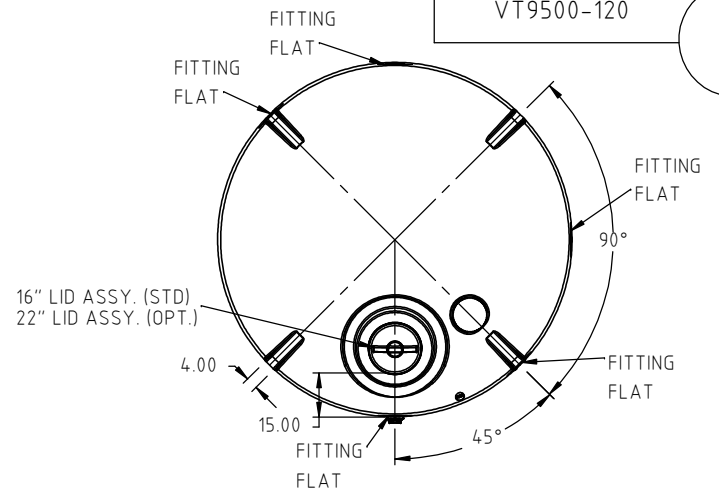
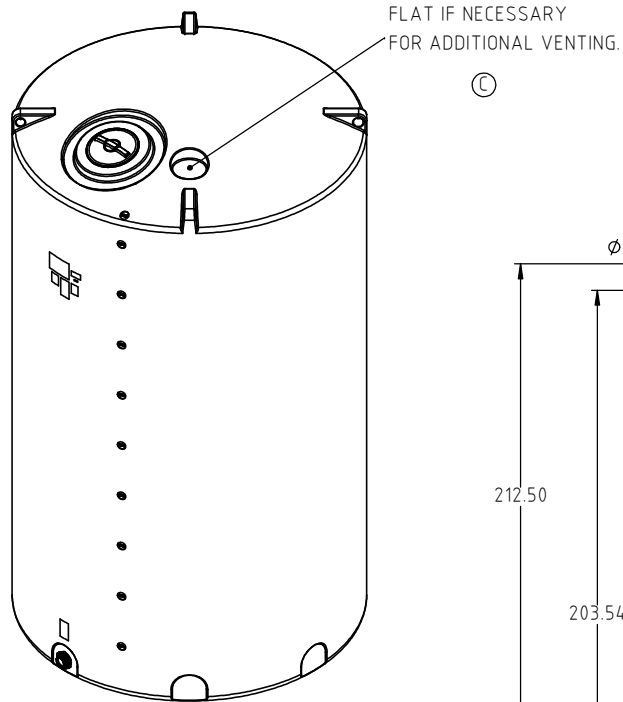


© DEN HARTOG INDUSTRIES, INC.

Copyright. All information furnished within this document, electronic file or design correspondence is the property of Den Hartog Industries, Inc. and shall not be used, disclosed to others or copied without the expressed written consent of Den Hartog Industries, Inc.

VT9500-120

C



⑥ 3 INCH FITTING STANDARD STANDARD LOCATION

C	DETAILS OF THE FLAT FOR OPTIONAL VENTING CLARIFIED ON THE PRINT.	ADH 3/6/20	3929	DRAWN / DATE	MATERIAL 1.) 2 MELT POWDER 10538
B	PART REDRAWN FOR NEW MOLD	DHJ 2/8/17	3468	DHJ 8/1/09	
A	CHANGED STANDARD FITTING FROM 2" TO 3".	DHJ 4/1/10	2013	APPRD. / DATE	
REV	DESCRIPTION	BY / DATE	CCN	REH 8/26/09	
ALL DIMENSIONS ARE IN DECIMAL INCHES TOLERANCES UNLESS OTHERWISE SPECIFIED		THIRD ANGLE PROJECTION ANSI 14.5M		SHOT WEIGHT: 2350 LBS	NOTES: 1.) 1.23 WALL @ FLAT
POLYETHYLENE		METAL DECIMAL ± .125" FRACTION ± 1/4" ANGLE ± 1°		SHIPPING WEIGHT: 2352 LBS	
±1% @ 68°F				FINISH:	



**Den Hartog**  
INDUSTRIES, INC.

Acra Roto-Mold Injection Molding Blow Molding Sowjoy

4010 HOSPERS DRIVE S. BOX 425, HOSPERS, IOWA 51238-0425

DESCRIPTION	9500 GALLON VERTICAL TANK	
SCALE	N.S.	PART NO. VT9500-120