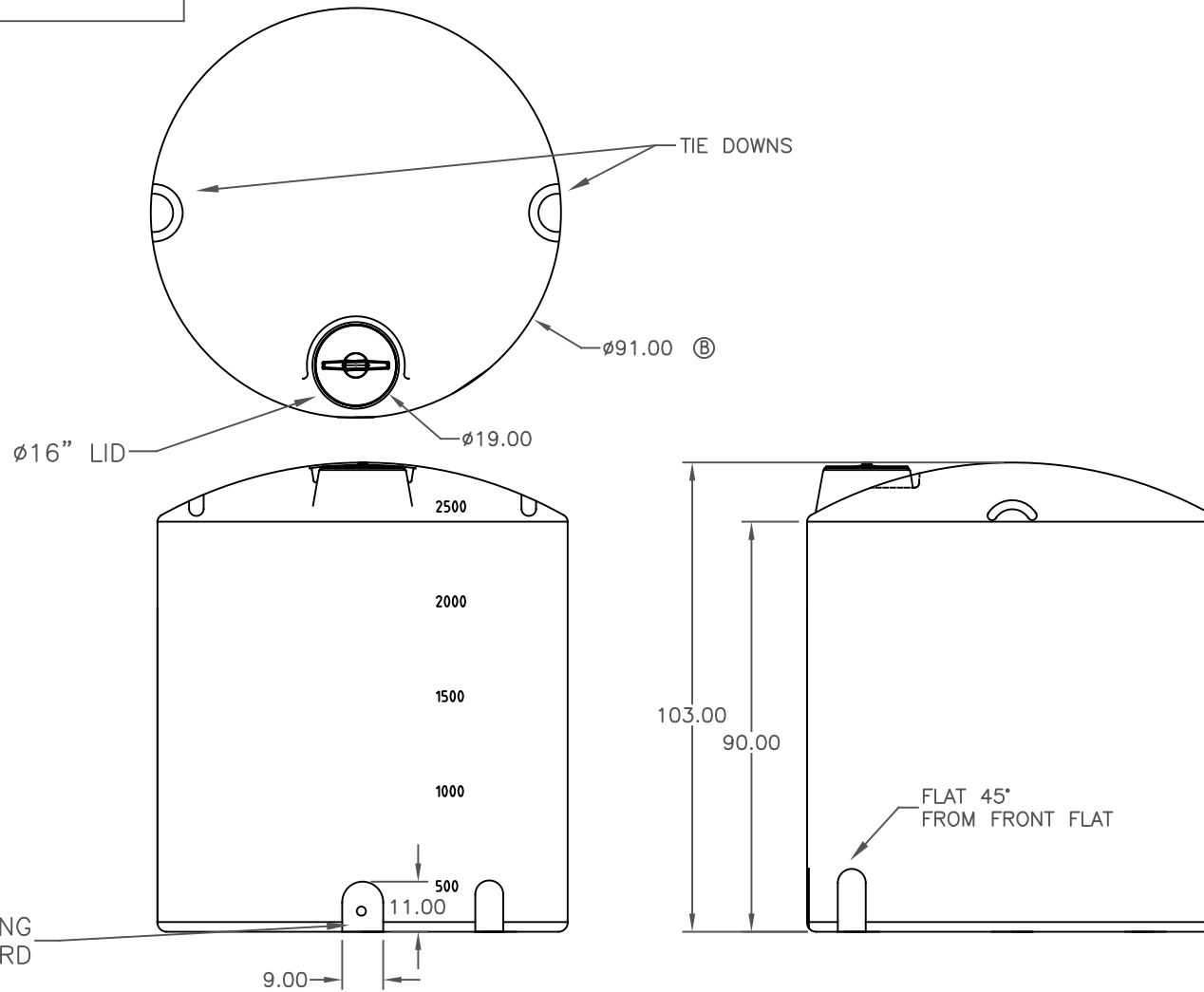


PROPRIETARY DATA

PROPERTY OF ACE ROTO-MOLD MFG., INC. INFORMATION FURNISHED HEREIN IS THE PROPERTY OF ACE ROTO-MOLD MFG., INC. AND SHALL NOT BE USED, DISCLOSED TO OTHERS, OR COPIED WITHOUT THE EXPRESSED WRITTEN CONSENT OF ACE ROTO-MOLD MFG., INC. ALL RIGHTS RESERVED.

VT2500-90

B



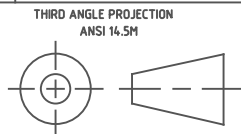
FLAT FOR FITTING
2 INCH STANDARD

ACE ROTO-MOLD
A DIVISION OF DEN HARTOG INDUSTRIES, INC.
4018 HWY. 60 BLVD., BOX 421, HOSPERS, IOWA 51238

B	WAS 90	5/11/17	DHJ		DRAWN / DATE NVE 6/10/05	MATERIAL HDPE OR EQUIVALENT REFERENCE MATERIAL DATA SHEET FOR SPECIFIC PROPERTIES.
A	ADD MINIMUM WALL THICKNESS	10/15/07	DHJ	CCN1485	APPRD. / DATE DHJ 6/21/05	
REV	DESCRIPTION	DATE	APPRD	CCN		

CLIENT / DESCRIPTION
2500 GALLON VERTICAL TANK

ALL DIMENSIONS ARE IN DECIMAL INCHES
TOLERANCES UNLESS OTHERWISE SPECIFIED
± 1% @ 68° F



- THIRD ANGLE PROJECTION
ANSI 14.5M
- NOTES:
 (A) 1. .43 MINIMUM THICK AT FITTING
 2. BLACK, GREEN, WHITE,
 OR YELLOW COLOR
 3. SHOT WEIGHT 420 LBS.

SCALE
N.S.

PART NO.
VT2500-90