

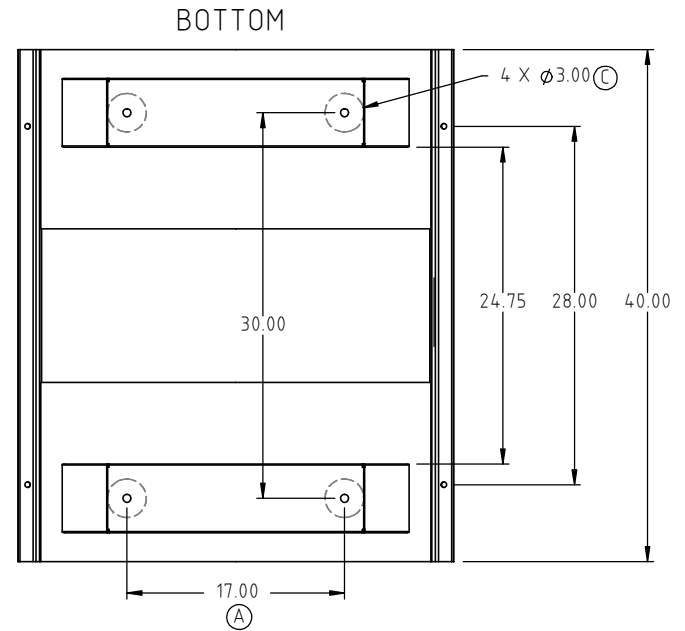
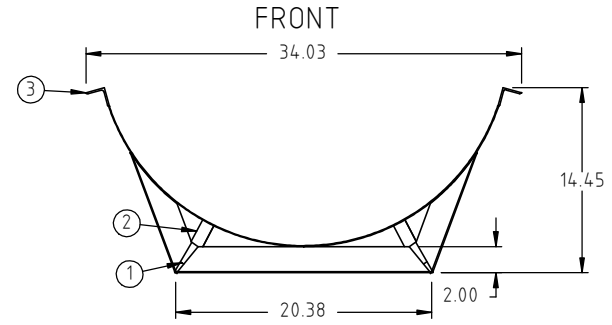
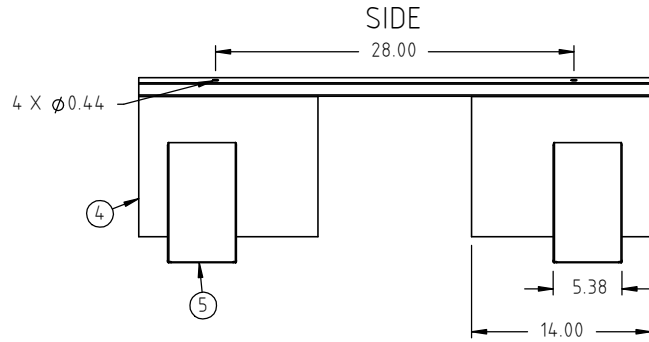
© DEN HARTOG INDUSTRIES, INC.

Copyright. All information furnished within this document, electronic file or design correspondence is the property of Den Hartog Industries, Inc. and shall not be used, disclosed to others or copied without the expressed written consent of Den Hartog Industries, Inc.

KEY	PART NUMBER	DESCRIPTION	QTY.
1	HZ0150-C-1	MOUNT FILLER STRAP	4
2	HZ0150-C-2	PAN SUPPORT/MOUNT FILLER	4
3	SJHZ0150C-1	ANGLE STEEL	2
4	SJHZ0150C-3	PAN	2
5	SJHZ0150C-6	MOUNT	2

HZ0150-C

D



D	BAND/FITTING DETAIL REMOVED FROM PRINT. DRAWING TEMPLATE UPDATED. WEIGHT/FINISH ADDED	ADH 8/26/15	3115		
C	3" PAN ACCESS HOLES ADDED	ADH 4/22/09	1858	DRAWN / DATE ADH 8/9/07	MATERIAL
B	TOLERANCE WAS 1% @ 68° F	GWC 3/14/07			
A	CHANGE DIM. HOLE PAT	1/3/06		APPRD. / DATE REH 11/26/07	
REV	DESCRIPTION	BY / DATE	CCN		
ALL DIMENSIONS ARE IN DECIMAL INCHES TOLERANCES UNLESS OTHERWISE SPECIFIED		THIRD ANGLE PROJECTION ANSI 14.5M		NOTES:	
POLYETHYLENE ±1% @ 68° F		METAL DECIMAL ± .125" FRACTION ± 1/4" ANGLE ± 1°		SHOT WEIGHT: SHIPPING WEIGHT: 56.00 LBS FINISH: POWDER COATING, BLACK TILE, 40012	



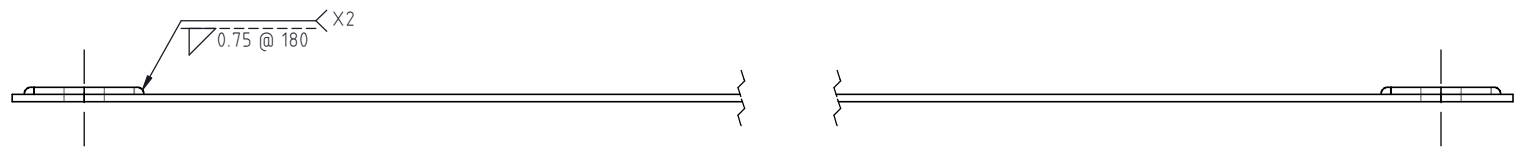
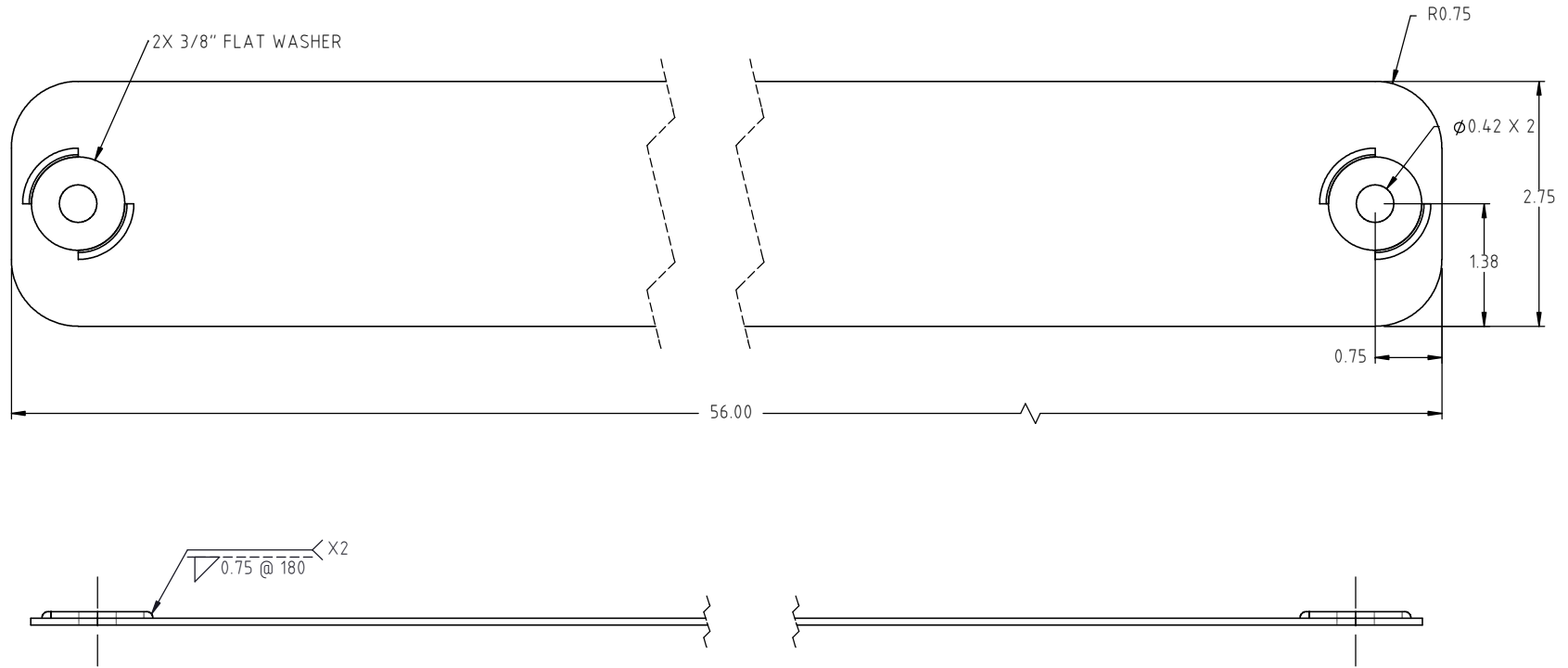
Den Hartog
INDUSTRIES, INC.

Ace Roto-Mold Injection Molding Blow Molding Sowjoy

4010 HOSPERS DRIVE S. BOX 425, HOSPERS, IOWA 51238-0425

DESCRIPTION CRADLE FOR 150 GALLON HORIZONTAL TANK	
SCALE N.S.	PART NO. HZ0150-C

Copyright. All information furnished within this document, electronic file or design correspondence is the property of Den Hartog Industries, Inc. and shall not be used, disclosed to others or copied without the expressed written consent of Den Hartog Industries, Inc.



				DRAWN / DATE NVE 7/7/06	MATERIAL 14GA MILD STEEL,
				APPRO. / DATE ADH 12/1/15	
REV	DESCRIPTION	BY / DATE	CCN		
ALL DIMENSIONS ARE IN DECIMAL INCHES TOLERANCES UNLESS OTHERWISE SPECIFIED		THIRD ANGLE PROJECTION ANSI 14.5M		SHOT WEIGHT:	NOTES:
POLYETHYLENE		METAL DECIMAL ± .125" FRACTION ± 1/4" ANGLE ± 1°		SHIPPING WEIGHT: 3.36 LBS.	
±1% @ 68°F				FINISH: BLACK POWDER COATED	



Den Hartog
INDUSTRIES, INC.

Ace Roto-Mold Injection Molding Blow Molding Sowjoy

4010 HOSPERS DRIVE S. BOX 425, HOSPERS, IOWA 51238-0425

DESCRIPTION STEEL BAND FOR 150 GALLON, Ø32" HORIZONTAL TANKS	
SCALE N.S.	PART NO. HZ0150-CSPS