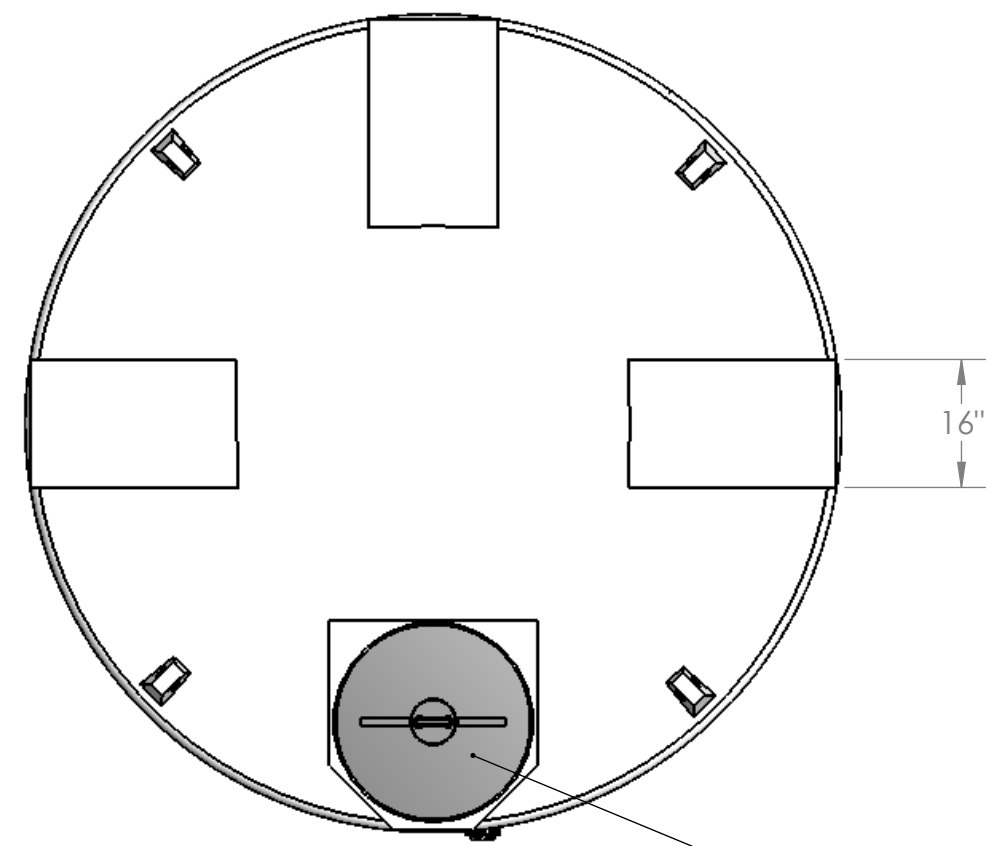


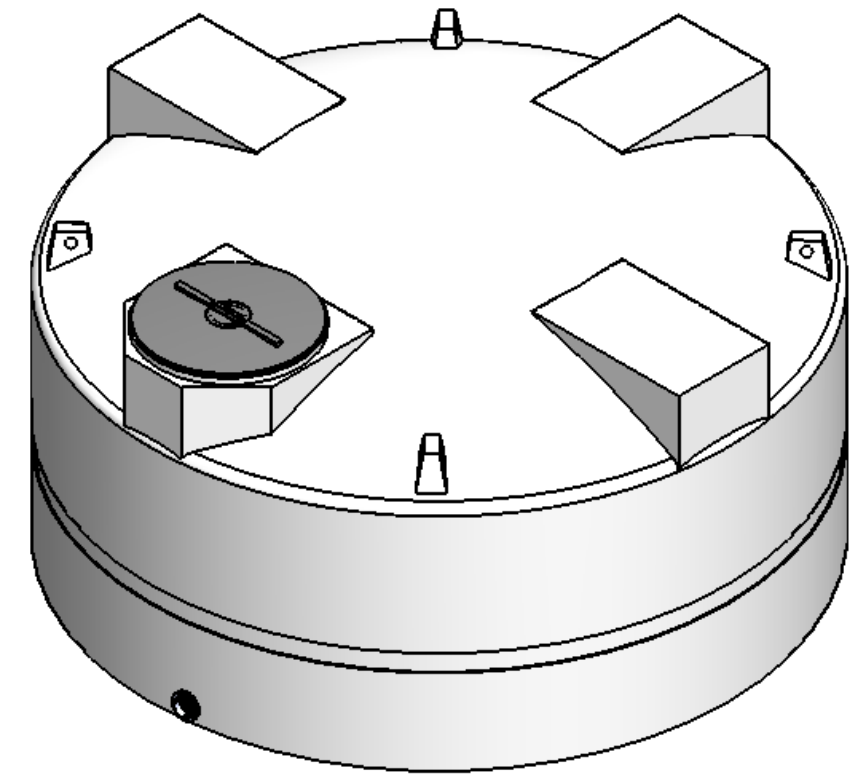
D
C
B
A

D
C
B
A



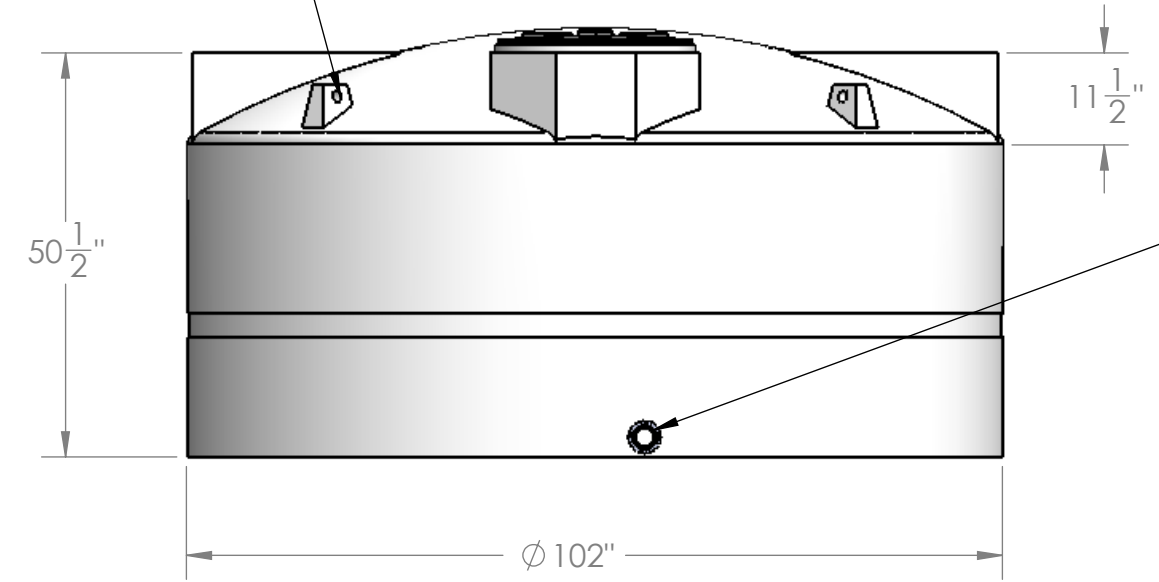
24" THREADED LID
W/BREATHER

1 1/2"
LIFTING EYE
(4) PLCS.



NOTES:


1. MATERIAL: HDPE
2. WEIGHT: STD. RATED 1.5 S.G. 265 LBS
HD. RATED 2.0 S.G. 350 LBS



2" NPT
POLYPRO FITTING

Ø 102"

PROPRIETARY AND CONFIDENTIAL
THE INFORMATION CONTAINED IN THIS DRAWING IS THE SOLE PROPERTY OF <INSERT COMPANY NAME HERE>. ANY REPRODUCTION IN PART OR AS A WHOLE WITHOUT THE WRITTEN PERMISSION OF <INSERT COMPANY NAME HERE> IS PROHIBITED.

		UNLESS OTHERWISE SPECIFIED:		NAME	DATE	 877-468-2657
		DIMENSIONS ARE IN INCHES TOLERANCES: FRACTIONAL ± ANGULAR: MACH ± BEND ± TWO PLACE DECIMAL ± THREE PLACE DECIMAL ±		DRAWN	6/4/09	
		INTERPRET GEOMETRIC TOLERANCING PER:		CHECKED		TITLE: 1600 GALLON VERTICAL TANK
		MATERIAL		ENG APPR.		
		FINISH		MFG APPR.		
NEXT ASSY	USED ON	DO NOT SCALE DRAWING		Q.A.		SIZE B DWG. NO. 1600 VTS REV
APPLICATION				COMMENTS:		SCALE: 1:32 WEIGHT: SHEET 1 OF 1