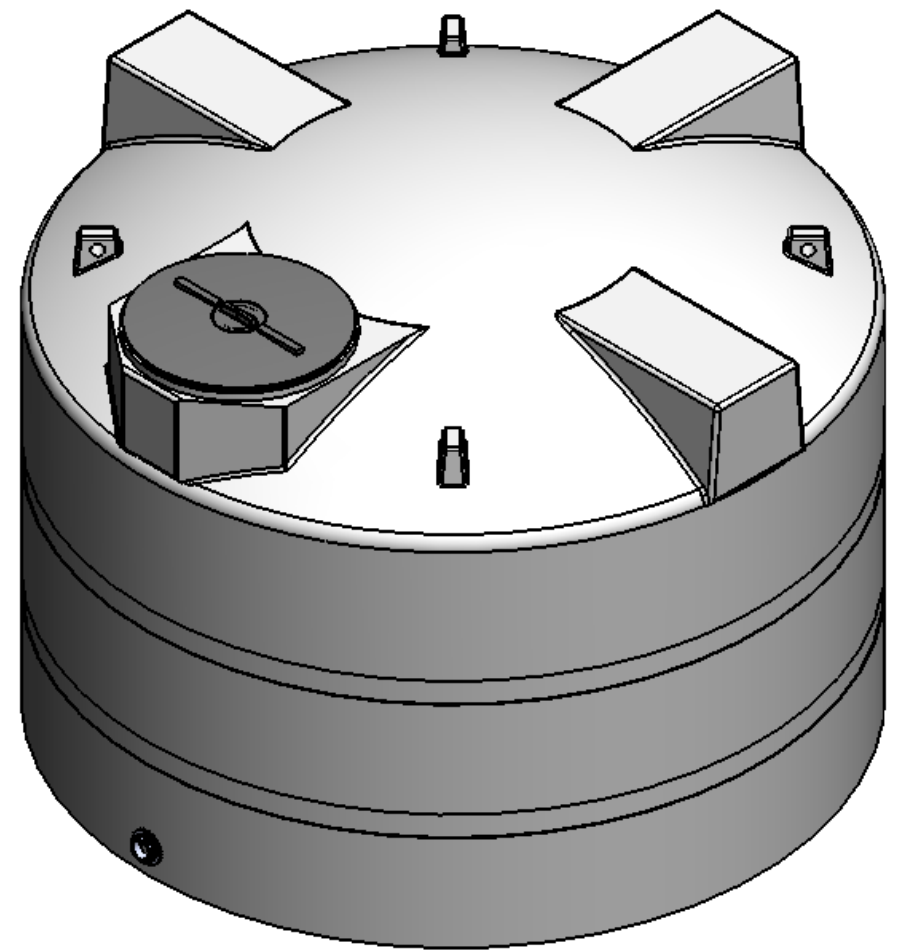
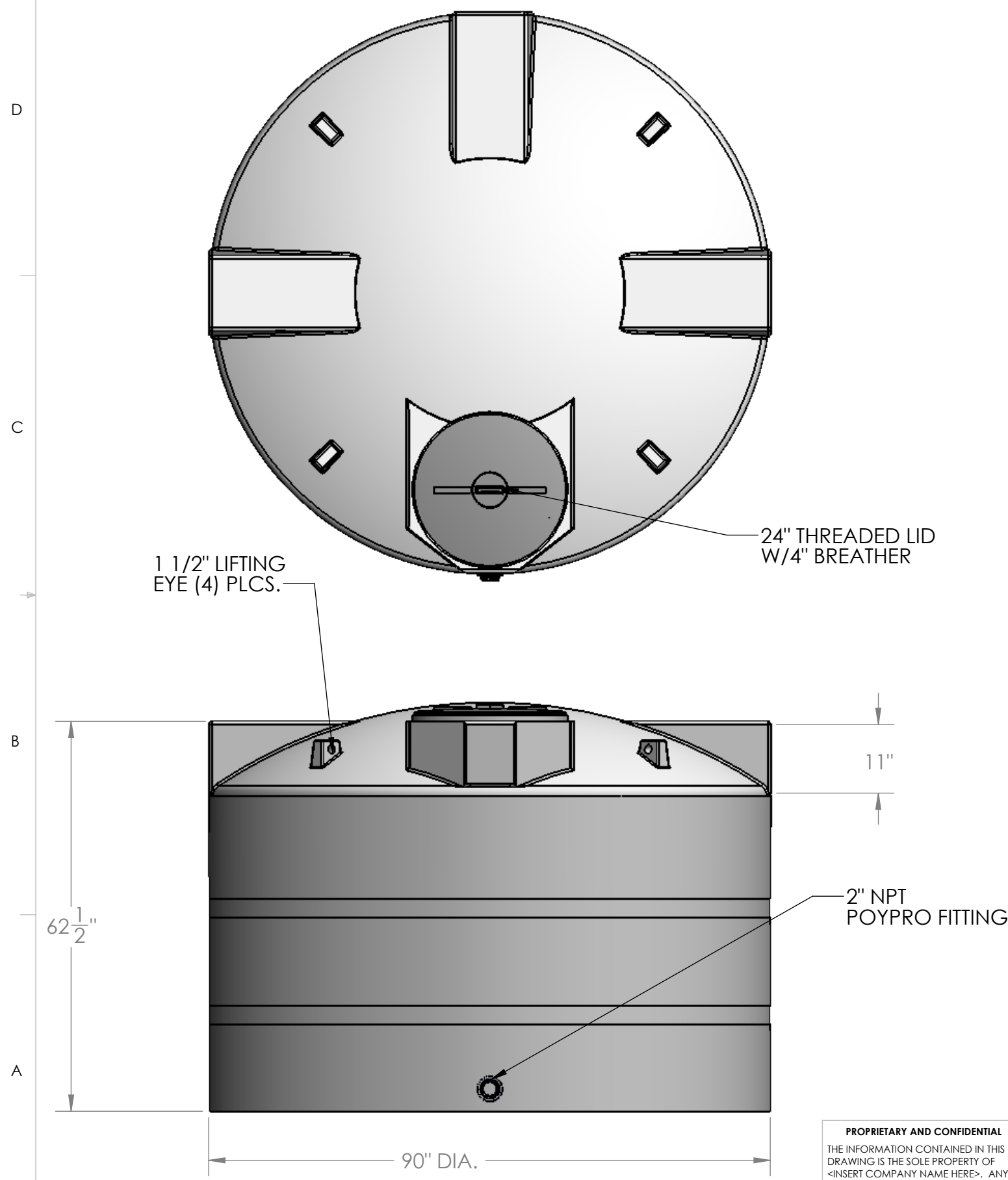



8 7 6 5 4 3 2 1



NOTES:

1. MATERIAL: HDPE
2. WEIGHT: 240 LBS STD. RATED 1.5 SG.
340 LBS HD. RATED 1.9 SG.

		UNLESS OTHERWISE SPECIFIED:		NAME	DATE	 877-468-2657
		DIMENSIONS ARE IN INCHES TOLERANCES: FRACTIONAL ± ANGULAR: MACH ± BEND ± TWO PLACE DECIMAL ± THREE PLACE DECIMAL ±		DRAWN	11-11-08	
		INTERPRET GEOMETRIC TOLERANCING PER:		CHECKED		TITLE:
		MATERIAL		ENG APPR.		1600 GALLON VERTICAL TANK
		FINISH		MFG APPR.		
NEXT ASSY	USED ON			Q.A.		SIZE
APPLICATION		DO NOT SCALE DRAWING		COMMENTS:		DWG. NO.
						B
						REV
						SCALE: 1:32 WEIGHT:
						SHEET 1 OF 1

8 7 6 5 4 3 2 1