

© DEN HARTOG INDUSTRIES, INC.

Copyright. All information furnished within this document, electronic file or design correspondence is the property of Den Hartog industries, Inc. and shall not be used, disclosed to others or copied without the expressed written consent of Den Hartog Industries, Inc.

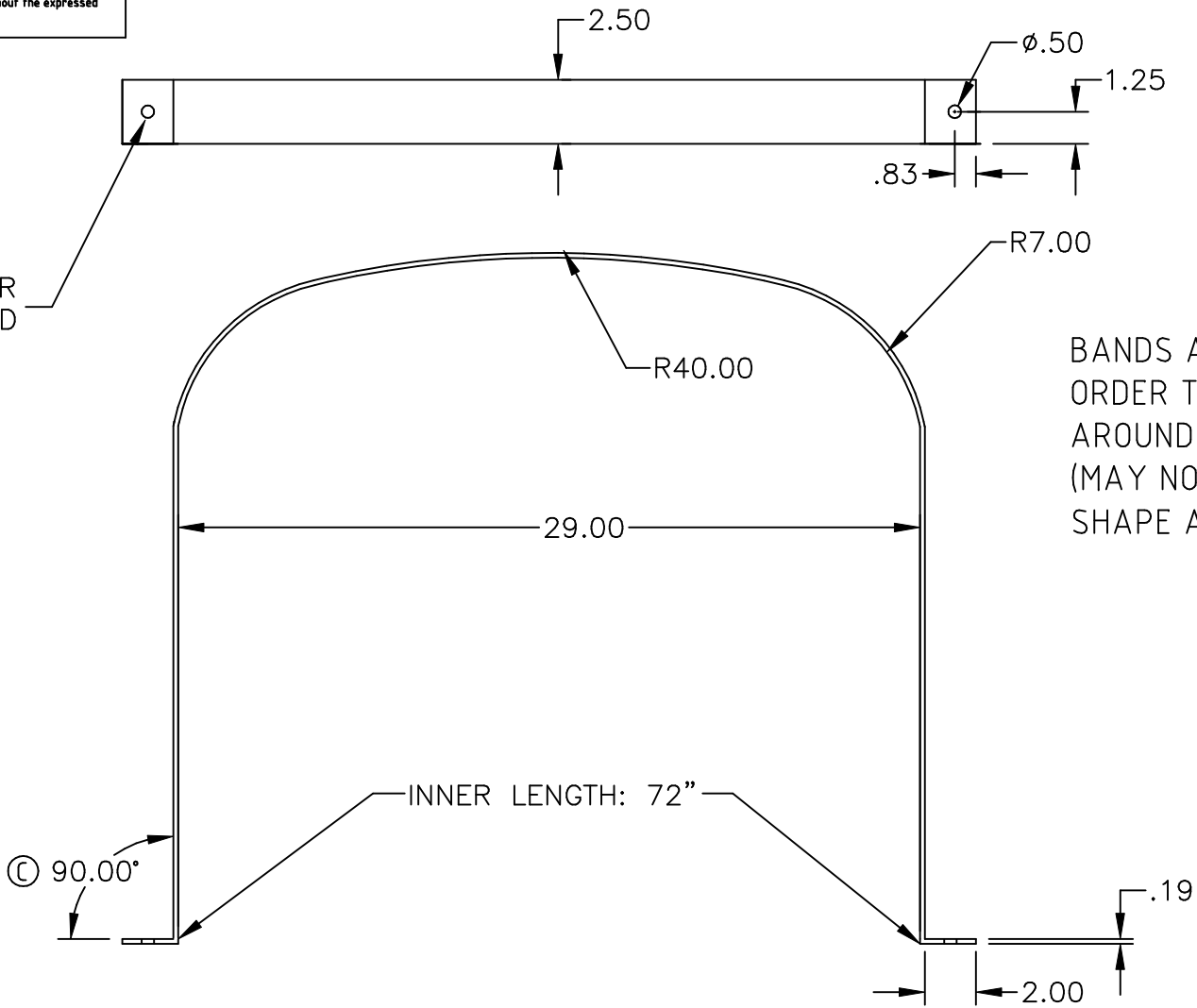
PC0100-SBPS

C


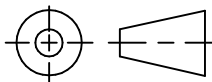
PC0100-SBP | 2 PER SET

ⓑ

HOLES FOR SECURING BAND



BANDS ARE PRESENT IN ORDER TO FIT SNUGLY AROUND TANK (MAY NOT APPEAR IN U SHAPE AS SHOWN HERE)

C	WEIGHT AND DIMENSION ADDED, DRAWING TEMPLATE UPDATED	ADH 12/2/09	1978	DRAWN / DATE NVE 6/27/05	MATERIAL 3/16" MILD STEEL	 <p><b>Den Hartog</b> INDUSTRIES, INC. Ace Roto-Mold Injection Molding Blow Molding SowJoy 4010 HOSPERS DRIVE S. BOX 425, HOSPERS, IOWA 51238-0425</p>
B	ADD TEXT BOX/ADD S TO PART #	GWC 4/3/07		APPRD. / DATE DHJ 9/21/05		
A	TOLERANCE WAS 1% @ 68° F	GWC 3/13/07				
REV	DESCRIPTION	BY / DATE	CCN			
ALL DIMENSIONS ARE IN DECIMAL INCHES TOLERANCES UNLESS OTHERWISE SPECIFIED		THIRD ANGLE PROJECTION ANSI 14.5M		SHOT WEIGHT:	NOTES:	DESCRIPTION 100 GALLON POWDER COATED STEEL BAND FOR PCO TANKS
POLYETHYLENE		METAL DECIMAL ± .125" FRACTION ± 1/4" ANGLE ± 1°		SHIPPING WEIGHT: 10 LBS		
±1% @ 68° F				FINISH: POWDER COAT, SILVER (40005)		
				SCALE	N.S.	PART NO. PC0100-SBPS