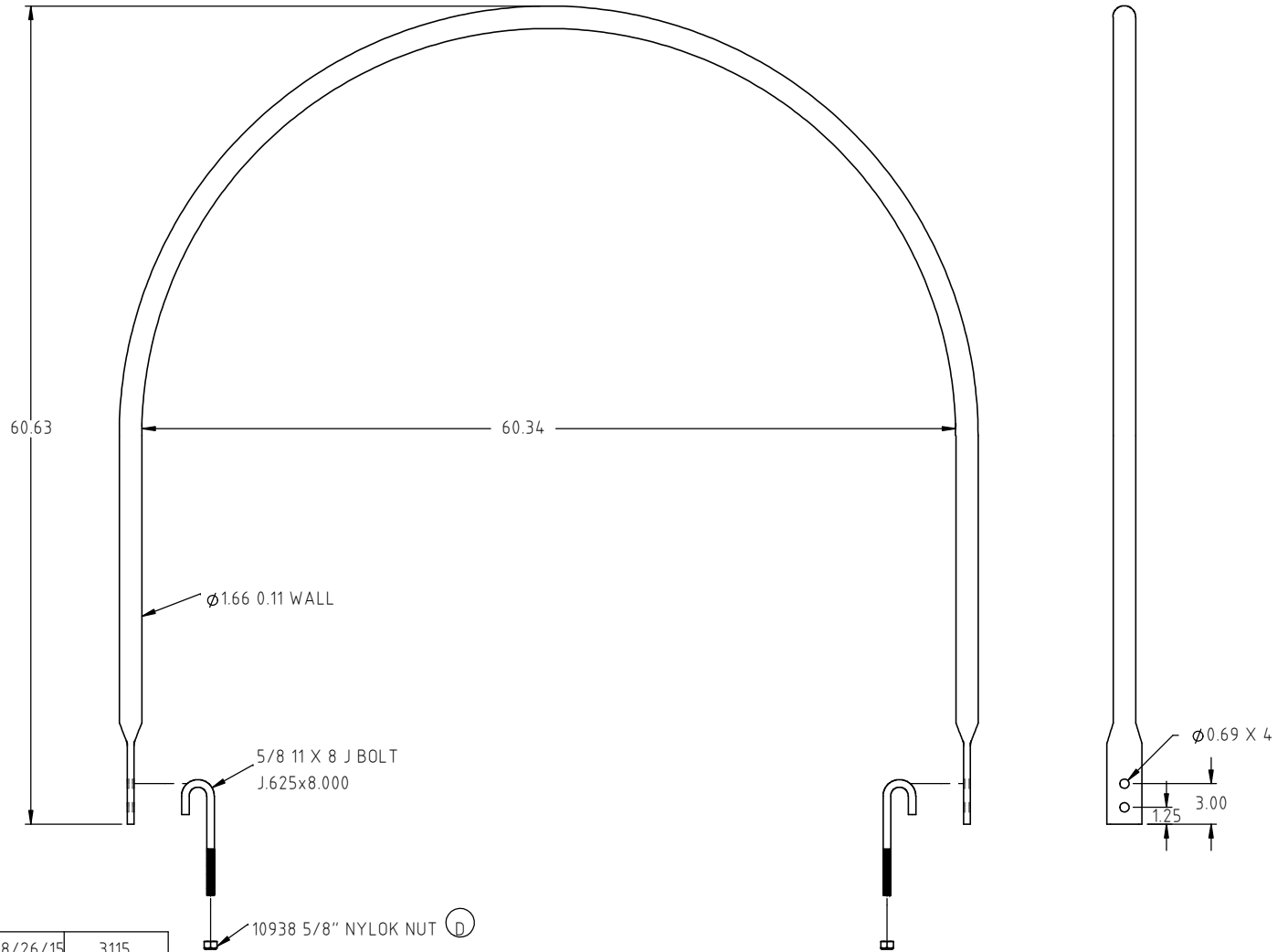


Copyright. All information furnished within this document, electronic file or design correspondence is the property of Den Hartog industries, Inc. and shall not be used, disclosed to others or copied without the expressed written consent of Den Hartog Industries, Inc.

- FS062-HP-925 2 HOOPS
- FS062-HP-1300 3 HOOPS
- FS062-HP-1750 4 HOOPS
- FS062-HP-1800C 4 HOOPS
2 WITH CLIPS
- FS062-HP-2600C 6 HOOPS
2 WITH CLIPS



D	10938 WAS SJ10221	ADH 8/26/15	3115		
C	ADDED 1750 HOOP P.N.	REH 11/8/07	1392	DRAWN / DATE DHJ 2/2/03	MATERIAL MILD STEEL
B	TOLERANCE WAS 1% @ 68° F	GWC 3/16/07		APPRD. / DATE REH 11/8/07	
A	ADD 2ND HOLE FOR J BOLT	4/18/05			
REV	DESCRIPTION	BY / DATE	CCN		
ALL DIMENSIONS ARE IN DECIMAL INCHES TOLERANCES UNLESS OTHERWISE SPECIFIED		THIRD ANGLE PROJECTION ANSI 14.5M		SHOT WEIGHT:	NOTES:
POLYETHYLENE		METAL DECIMAL ± .125" FRACTION ± 1/4" ANGLE ± 1°		SHIPPING WEIGHT: 24.00 LBS	
±1% @ 68° F				FINISH: BLACK POWDER COAT	



Den Hartog
INDUSTRIES, INC.

Ace Roto-Mold Injection Molding Blow Molding Sowjoy

4010 HOSPERS DRIVE S. BOX 425, HOSPERS, IOWA 51238-0425

DESCRIPTION HOOP FOR Ø62 LEG TANK	
SCALE N.S.	PART NO. FS062-HPS