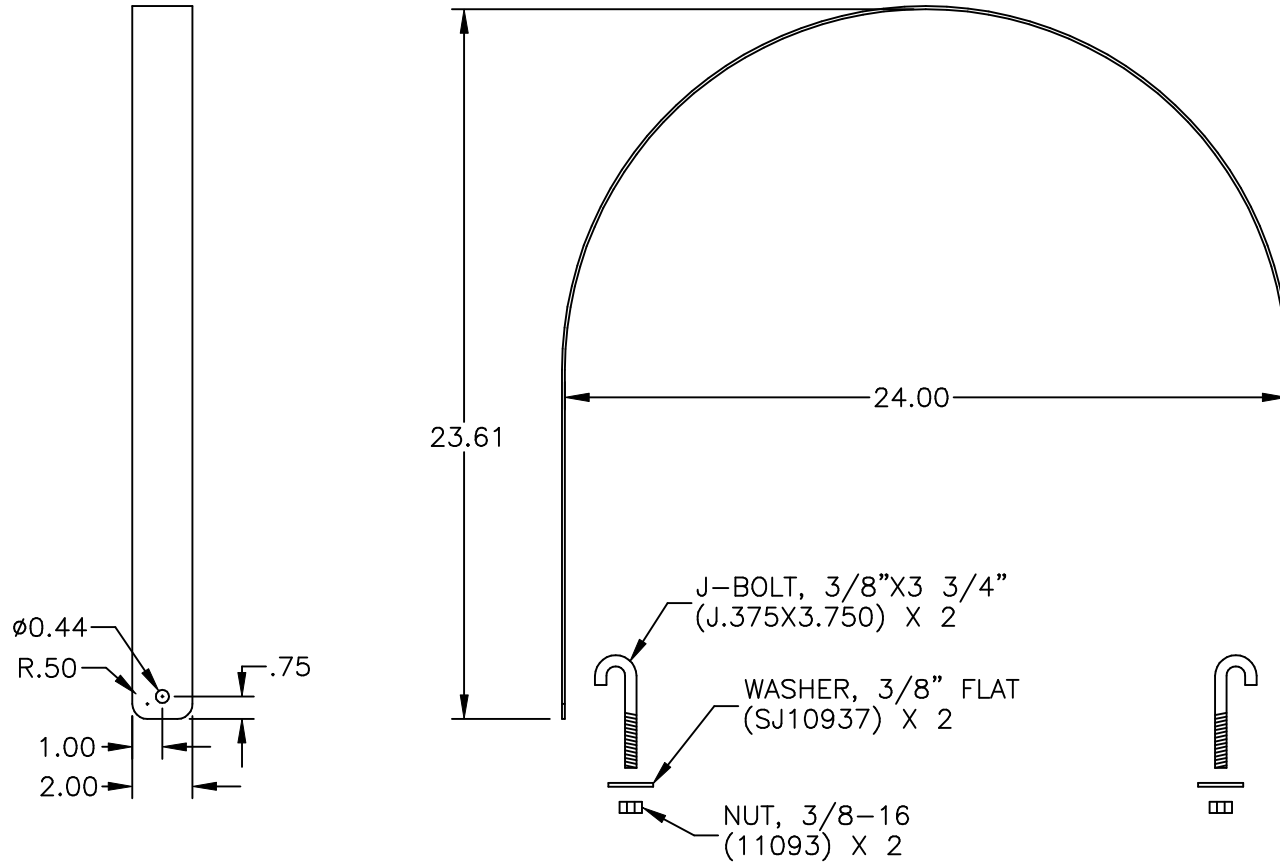

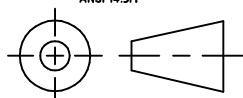


Copyright. All information furnished within this document, electronic file or design correspondence is the property of Den Hartog industries, Inc. and shall not be used, disclosed to others or copied without the expressed written consent of Den Hartog Industries, Inc.



BAND LENGTH: 61"

					DRAWN / DATE ADH 2/26/09		MATERIAL		 ACE ROTO-MOLD A DIVISION OF DEN HARTOG INDUSTRIES, INC. 4010 HOSPERS DRIVE S. BOX 425, HOSPERS, IOWA 51238-0421		
					APPRD. / DATE REH 3/2/09		1) SHEET, 18GA STAINLESS STEEL (S-18GA-SS)				
A	PRINT REPLACEMENT RELEASED	CCN 1815	ADH	3/2/09					CLIENT / DESCRIPTION		
REV	DESCRIPTION	DATE	APPRD						65 GALLON BAND KIT, STAINLESS STEEL		
ALL DIMENSIONS ARE IN DECIMAL INCHES TOLERANCES UNLESS OTHERWISE SPECIFIED ± .125					THIRD ANGLE PROJECTION ANSI 14.5M 		NOTES: 1.) WEIGHT PER BAND: 2 LBS.		SCALE	N.S.	PART NO. FS0065-SB