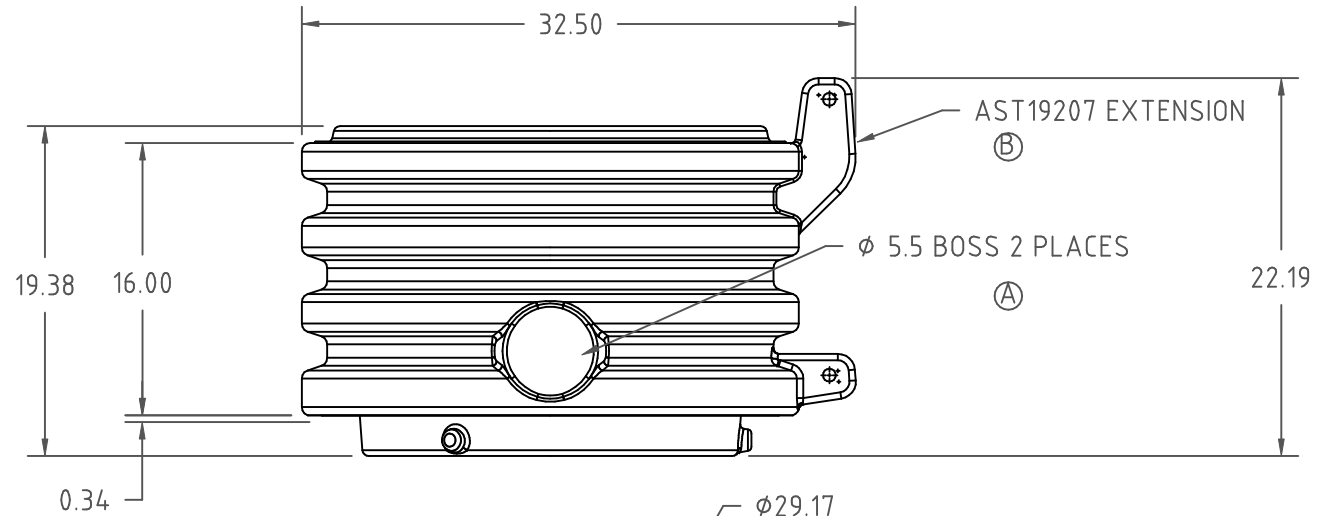


PROPRIETARY DATA

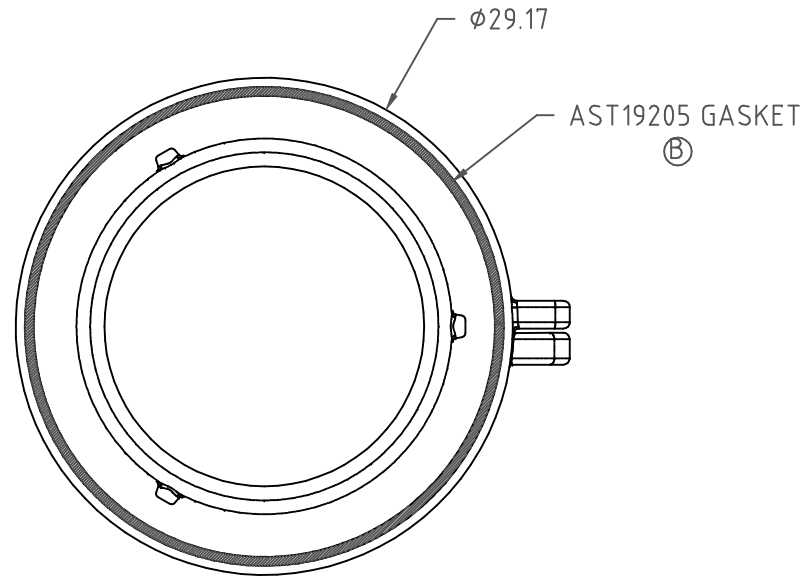
PROPERTY OF ACE ROTO-MOLD MFG., INC. INFORMATION FURNISHED HEREIN IS THE PROPERTY OF ACE ROTO-MOLD MFG., INC. AND SHALL NOT BE USED, DISCLOSED TO OTHERS, OR COPIED WITHOUT THE EXPRESSED WRITTEN CONSENT OF ACE ROTO-MOLD MFG., INC. ALL RIGHTS RESERVED.

AST19212


B



TO INSURE UNIFORM GASKET INSTALLATION DEPTH USE ROLLER INSTALLATION TOOL



				DRAWN / DATE REH / 5/11/04	MATERIAL
B	DRAWING INFORMATION UPDATED	ADH 1/11/08	CCN1561	APPRD. / DATE DHJ / 5/11/04	11017 BLACK REGRIND
A	BOSSSES ADDED 6/3/05				
REV	DESCRIPTION	DATE	APPRD		
ALL DIMENSIONS ARE IN DECIMAL INCHES TOLERANCES UNLESS OTHERWISE SPECIFIED ± 1% @ 68° F				THIRD ANGLE PROJECTION ANSI 14.5M 	NOTES: 1. SHOT WEIGHT = 34 LB 11017 2. SHIPPING WEIGHT = 35 LB. 3. WALL THICKNESS = .190



**Ace Roto-Mold**  
A DIVISION OF DEN HARTOG INDUSTRIES, INC.  
4010 HOSPERS DRIVE S. BOX 425, HOSPERS, IOWA 51238-0421

---

CLIENT / DESCRIPTION: SEPTIC TANK EXTENSION ASSEMBLY

---

SCALE: N.S.	PART NO.: AST19212
-------------	--------------------