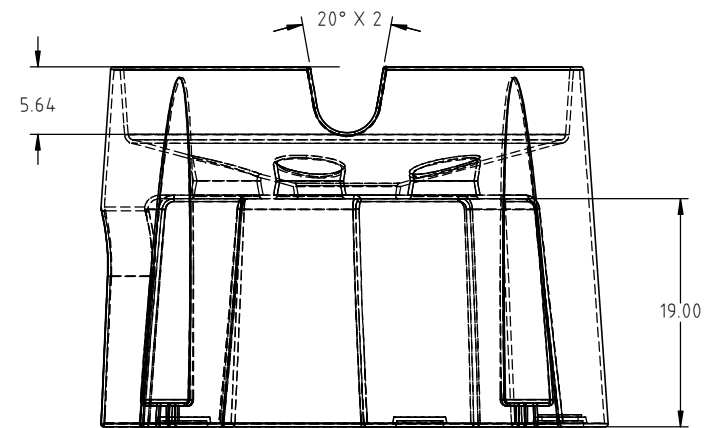
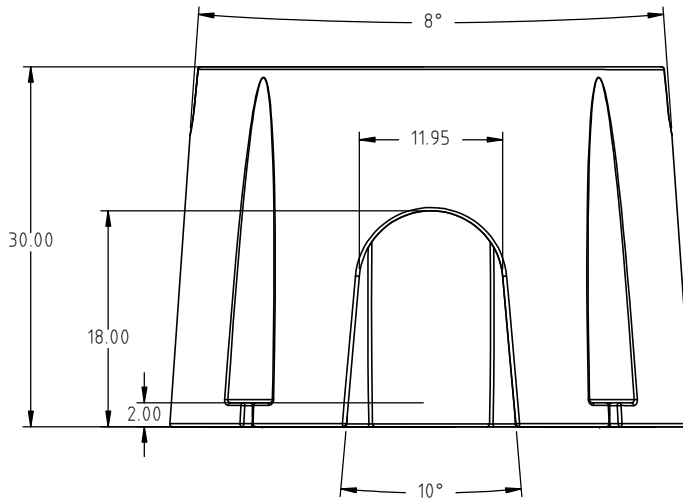
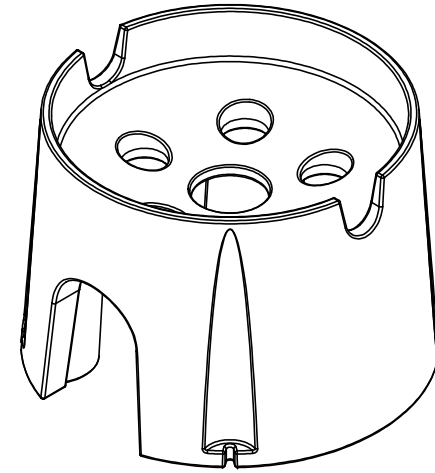
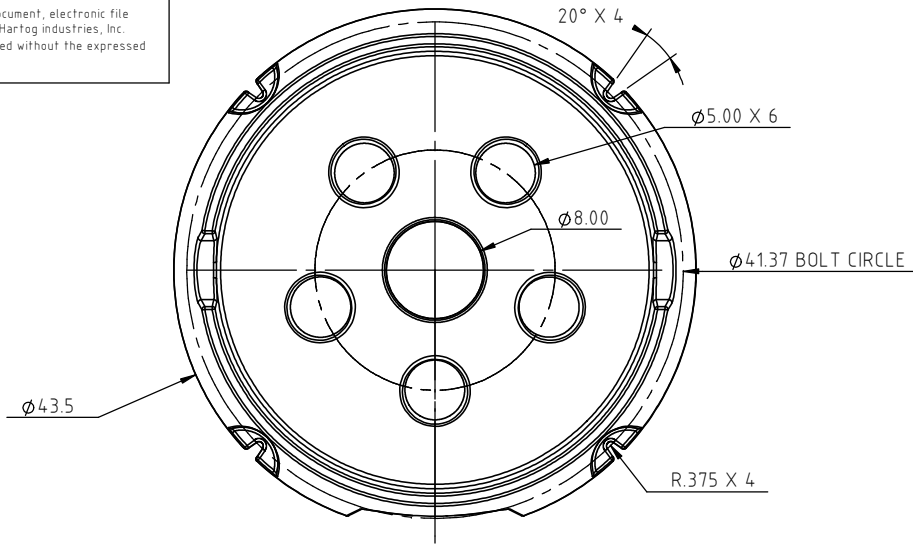


Copyright. All information furnished within this document, electronic file or design correspondence is the property of Den Hartog industries, Inc. and shall not be used, disclosed to others or copied without the expressed written consent of Den Hartog Industries, Inc.



				DRAWN / DATE ADH 7/12/10	MATERIAL 12471
				APPROD. / DATE REH 10/11/10	
REV	DESCRIPTION	BY / DATE	CCN	SHOT WEIGHT: 92 LB.	NOTES: 1. .300 NOMINAL WALL
				SHIPPING WEIGHT: 92 LB.	
ALL DIMENSIONS ARE IN DECIMAL INCHES TOLERANCES UNLESS OTHERWISE SPECIFIED		THIRD ANGLE PROJECTION ANSI 14.5M		FINISH:	
POLYETHYLENE ±1% @ 68°F					



Den Hartog
INDUSTRIES, INC.

Acra Roto-Mold Injection Molding Blow Molding Sowjey

4010 HOSPERS DRIVE S. BOX 425, HOSPERS, IOWA 51238-0425

DESCRIPTION	36" POLY STAND	
SCALE	N.S.	PART NO. OC036-STP