

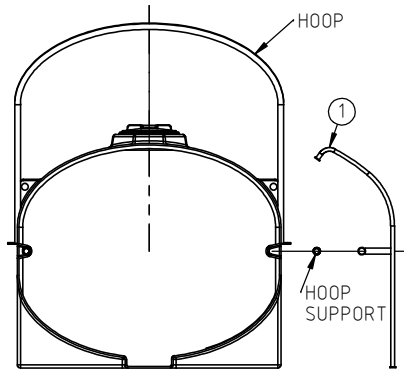
© DEN HARTOG INDUSTRIES, INC.

Copyright. All information furnished within this document, electronic file or design correspondence is the property of Den Hartog Industries, Inc. and shall not be used, disclosed to others or copied without the expressed written consent of Den Hartog Industries, Inc.

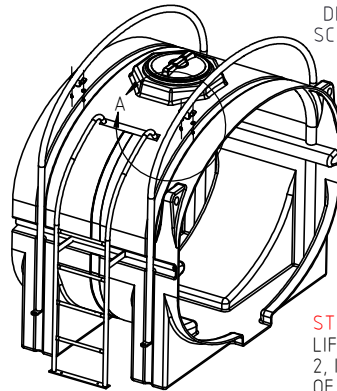
	PART NUMBER	DESCRIPTION	QTY.
1	13674	3250 ELLIPTICAL LADDER	1
2	13663	FORMED LADDER STABILIZER	1
3	13664	LADDER CLIP	2
4	13665	5/16" X 1-3/8" X 2-3/16" U-BOLT	2
5	10320	WASHER, 5/16" FLAT ZINC	12
6	10939	NUT, 5/16" HEX GRADE 2 ZINC	8
7	SJ10819	BOLT, 5/16" X 1" HEX GR5 ZINC	4

FS3250-LAD

A

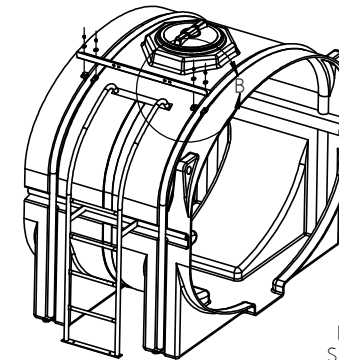
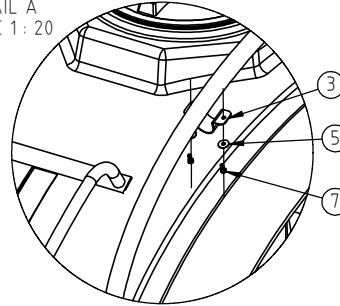


STEP 1.)
SLIDE LADDER OVER HOOP SUPPORT.
PLACE HOOPSUPPORT IN TANK SIDE GROOVE.
LOWER HOOPS TO LOCK HOOP SUPPORTS IN PLACE.



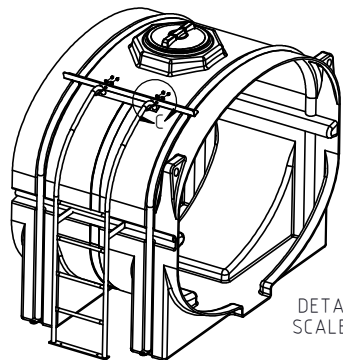
DETAIL A
SCALE 1:20

STEP 2.)
LIFT BASE OF HOOP AND POSITION PARTS 2, IN PLACE BETWEEN TANK AND TOP RADIUS OF HOOP.



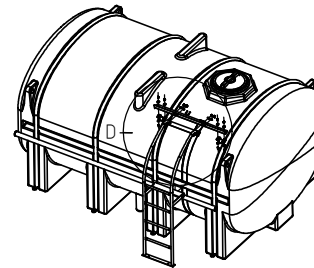
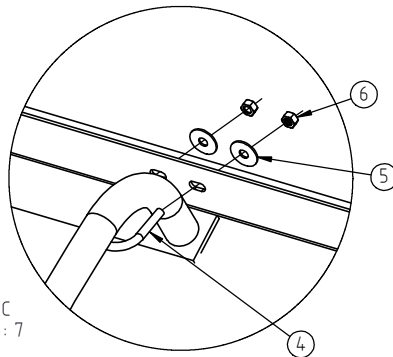
DETAIL B
SCALE 1:20

STEP 3.)
LOOSELY ATTACH PART 2 TO PARTS 3 WITH 5, 6, & 7 HARDWARE



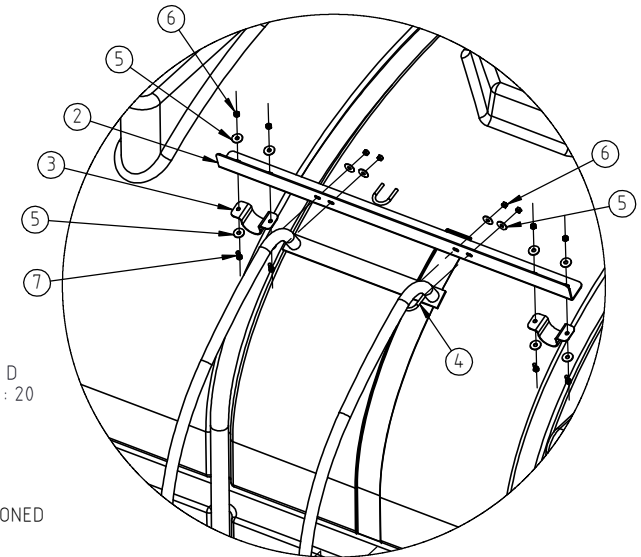
DETAIL C
SCALE 1:7

STEP 4.)
LOOSELY ATTACH PART 2 TO LADDER WITH 4, 5, & 6 HARDWARE



DETAIL D
SCALE 1:20

STEP 5.)
AFTER ALL PARTS HAVE BEEN CORRECTLY POSITIONED
TIGHTEN ALL HARDWARE



REV	DESCRIPTION	BY / DATE	CCN	DRAWN / DATE	MATERIAL
A	REDRAWN TO INCLUDE STABILIZER	REH 7/18/12	2455	ADH 7/16/12	
				APPR. / DATE	
				REH 7/17/12	
ALL DIMENSIONS ARE IN DECIMAL INCHES TOLERANCES UNLESS OTHERWISE SPECIFIED		THIRD ANGLE PROJECTION ANSI 14.5M		SHOT WEIGHT:	NOTES:
POLYETHYLENE		METAL DECIMAL ± .125" FRACTION ± 1/4" ANGLE ± 1°		SHIPPING WEIGHT: 56 lbs.	
±1% @ 68°F				FINISH:	



Den Hartog
INDUSTRIES, INC.

Acro Roto-Mold Injection Molding Blow Molding Sowjoy

4010 HOSPERS DRIVE S. BOX 425, HOSPERS, IOWA 51238-0425

DESCRIPTION FS3250-88 LADDER INSTALLATION INSTRUCTIONS

SCALE N.S.

PART NO. FS3250-LAD

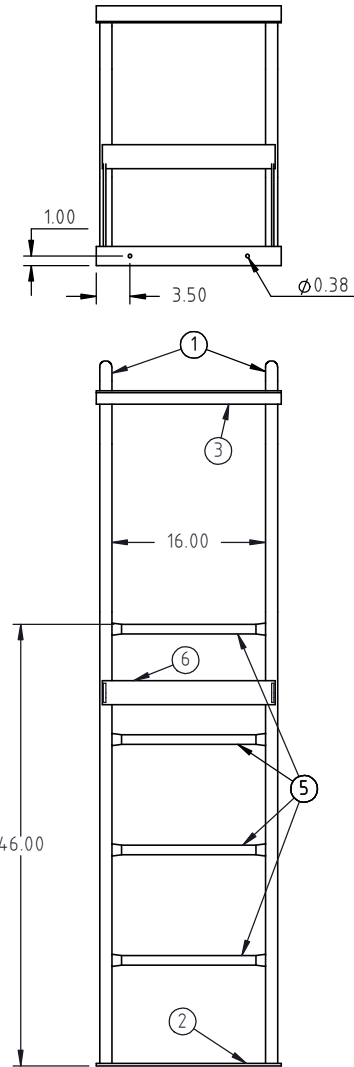
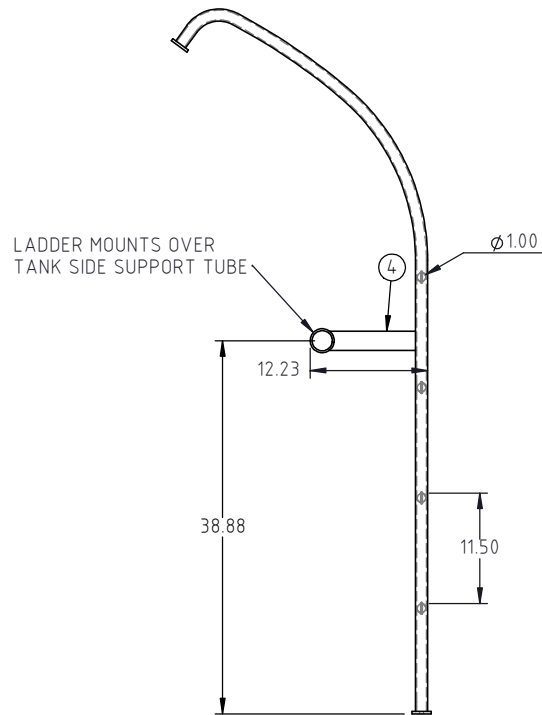
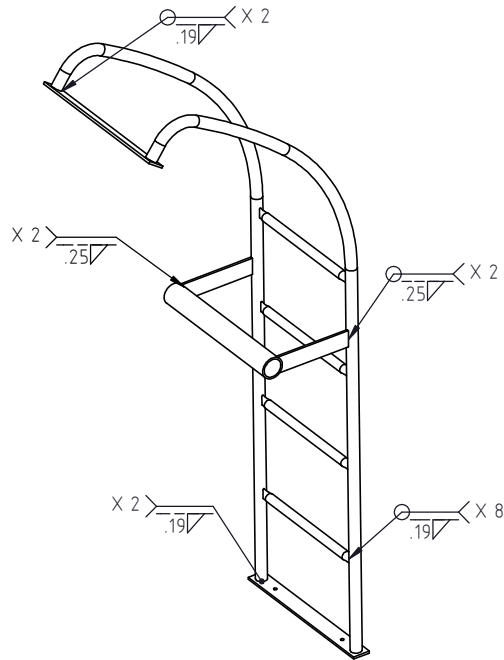
© DEN HARTOG INDUSTRIES, INC.

Copyright. All information furnished within this document, electronic file or design correspondence is the property of Den Hartog Industries, Inc. and shall not be used, disclosed to others or copied without the expressed written consent of Den Hartog Industries, Inc.

KEY	PART NUMBER	DESCRIPTION	QTY.
1	13674-1	SIDE PIPE	2
2	13674-2	BOLT PLATE	1
3	13674-3	TOP PLATE	1
4	13674-4	SUPPORT PLATE	2
5	13674-5	LADDER RUNG	4
6	13674-6	SUPPORT PIPE	1

13674

D



D	CURVATURE ADDED TO END OF 13674-4	ADH 8/22/17	3412
C	TOLERANCE WAS 15 @ 68°F	GWC 3/19/07	
B	ADD B.O.M. AND WELD DESC	NVE 7/20/06	
A	ADD PART #	2/4/05	
REV	DESCRIPTION	BY / DATE	CCN

DRAWN / DATE	MATERIAL
DHJ 10/25/04	MILD STEEL
APPRO. / DATE	
ADH 11/20/07	



Den Hartog
INDUSTRIES, INC.

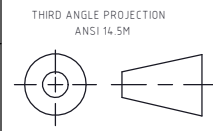
Acra Roto-Mold Injection Molding Blow Molding Sowjoy

4010 HOSPERS DRIVE S. BOX 425, HOSPERS, IOWA 51238-0425

ALL DIMENSIONS ARE IN DECIMAL INCHES
TOLERANCES UNLESS OTHERWISE SPECIFIED

POLYETHYLENE
±1% @ 68°F

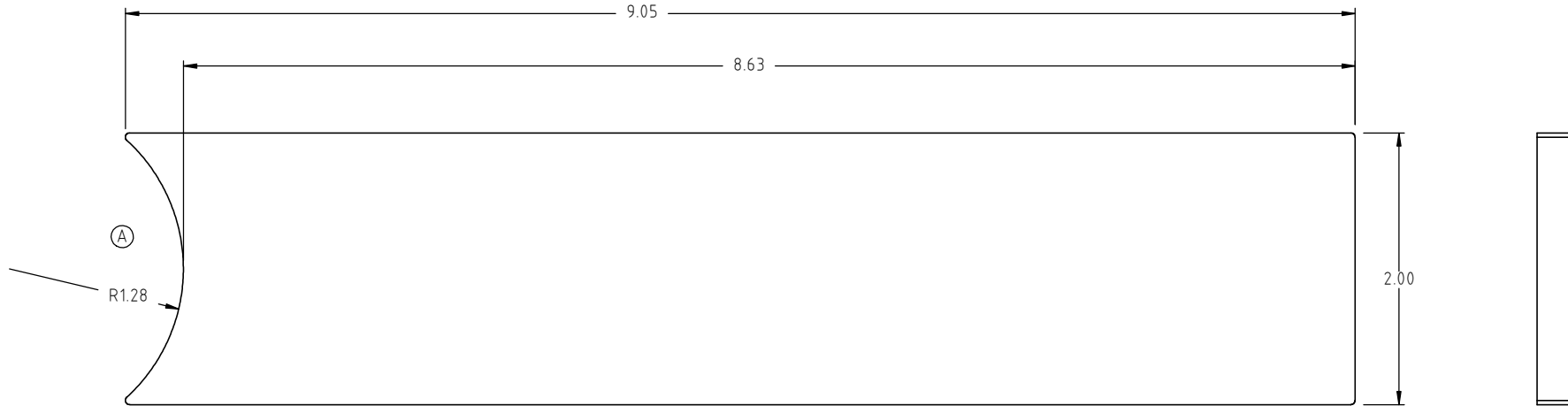
METAL
DECIMAL ± .125"
FRACTION ± 1/4"
ANGLE ± 1°


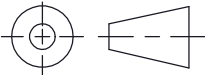


SHOT WEIGHT:	NOTES:
SHIPPING WEIGHT: 46.00 LBS	
FINISH: BLACK COLOR-POWDER COAT	

DESCRIPTION	FS3250 LADDER WELDMENT	
SCALE	N.S.	PART NO. 13674

Copyright. All information furnished within this document, electronic file or design correspondence is the property of Den Hartog industries, Inc. and shall not be used, disclosed to others or copied without the expressed written consent of Den Hartog Industries, Inc.



				DRAWN / DATE ADH 8/9/10	MATERIAL (A) 1.) SHEET, 1/4 MILD STEEL	 <p>Den Hartog INDUSTRIES, INC.</p> <p><i>Acra Roto-Mold Injection Molding Blow Molding Sowjoy</i></p> <p>4010 HOSPERS DRIVE S. BOX 425, HOSPERS, IOWA 51238-0425</p>	
A	CURVATURE ADDED TO END. MATERIAL WAS B02500X20000.	ADH 8/22/17	3412	APPRD. / DATE KGJ 7/18/12			
REV	DESCRIPTION	BY / DATE	CCN				
ALL DIMENSIONS ARE IN DECIMAL INCHES TOLERANCES UNLESS OTHERWISE SPECIFIED		THIRD ANGLE PROJECTION ANSI 14.5M		SHOT WEIGHT:	NOTES:	DESCRIPTION FS 3250 LADDER, SUPPORT PLATE	
POLYETHYLENE ±1% @ 68°F	METAL DECIMAL ± .125" FRACTION ± 1/4" ANGLE ± 1°			SHIPPING WEIGHT:		SCALE N.S.	PART NO. 13674-4
				FINISH:			