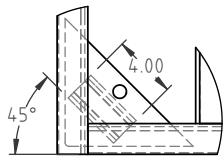
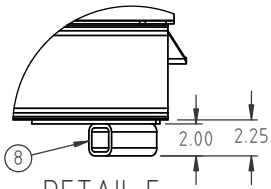
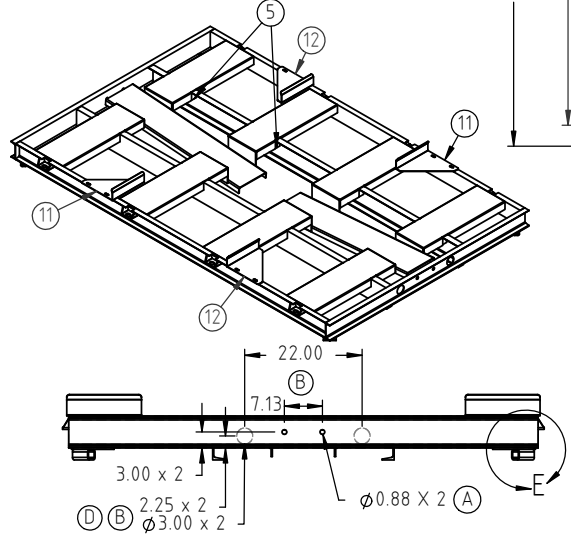


Copyright. All information furnished within this document, electronic file or design correspondence is the property of Den Hartog Industries, Inc. and shall not be used, disclosed to others or copied without the expressed written consent of Den Hartog Industries, Inc.

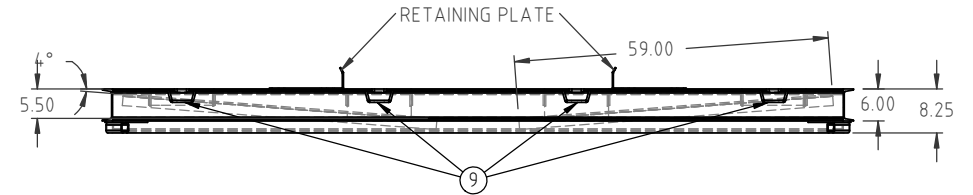
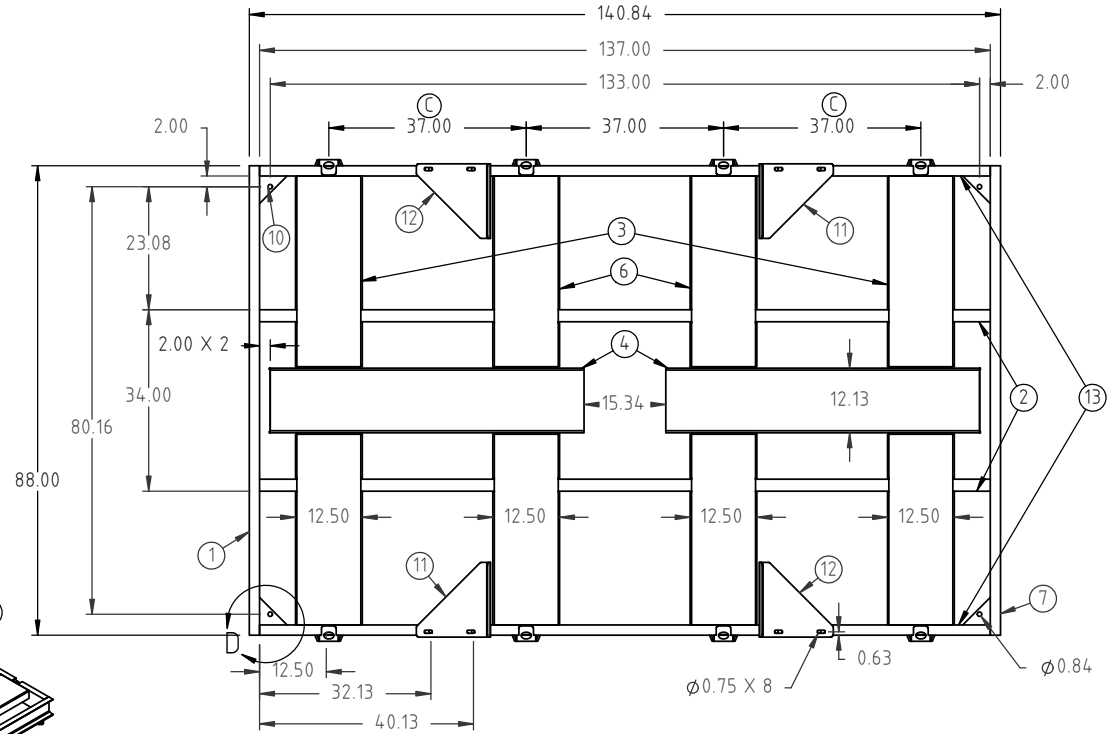
KEY	PART NUMBER	DESCRIPTION	QTY.
1	FM2350/3250-SK-1	END CHANNEL	1
2	FM2350/3250-SK-2	INNER CHANNEL	2
3	FM2350/3250-SK-3	FORMED SUPPORT CHANNEL	4
4	FM2350/3250-SK-4	INNER FORMED CHANNEL	2
5	FS2350/3250-SK-5	FILLER PLATE	16
6	FM2350/3250-SK-6	FORMED SUPPORT CHANNEL-LONG	4
7	FM2350/3250-SK-7	END CHANNEL-HOLES	1
8	FM2350/3250-SK-8	BASE SUPPORT TUBE	4
9	SJ19121	BRACKET, SKID HOOP	8
10	12847	8" X 8" GUSSET	4
11	FS10026	RETAINING PLATE-RIGHT	2
12	FS10027	RETAINING PLATE LEFT HAND	2
13	FS2350/3250-SK-12	OUTER CHANNEL	2



DETAIL D
SCALE 1 : 12



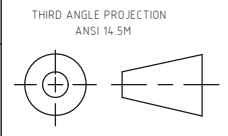
DETAIL E
SCALE 1 : 12



D	ø3.00 WAS ø2.55, 2.25 WAS 1.98	ADH 2/1/19	3714
C	37.00" WAS 37.50"	ADH 10/30/18	3664
B	PLUMBING HOLES DETAILED	ADH 9/4/18	3628
A	POWDER COATING HOLES ADDED	ADH 8/2/12	2465
REV	DESCRIPTION	BY / DATE	CCN

DRAWN / DATE	MATERIAL
ADH 4/23/10	
APPRD. / DATE	
REH 5/12/10	

ALL DIMENSIONS ARE IN DECIMAL INCHES
TOLERANCES UNLESS OTHERWISE SPECIFIED
POLYETHYLENE METAL
DECIMAL ± .125"
FRACTION ± 1/4"
ANGLE ± 1°
±1% @ 68°F



SHOT WEIGHT:
SHIPPING WEIGHT: 1060 LB.
FINISH:
BLACK POWDER COAT

NOTES:



Den Hartog
INDUSTRIES, INC.

Ace Roto-Mold Injection Molding Blow Molding Sowjoy

4010 HOSPERS DRIVE S. BOX 425, HOSPERS, IOWA 51238-0425

DESCRIPTION	SKID FOR 2350 & 2750 & 3250 LEG TANK-CENTER DRAIN
SCALE	N.S.
PART NO.	FM2350/3250-SKC