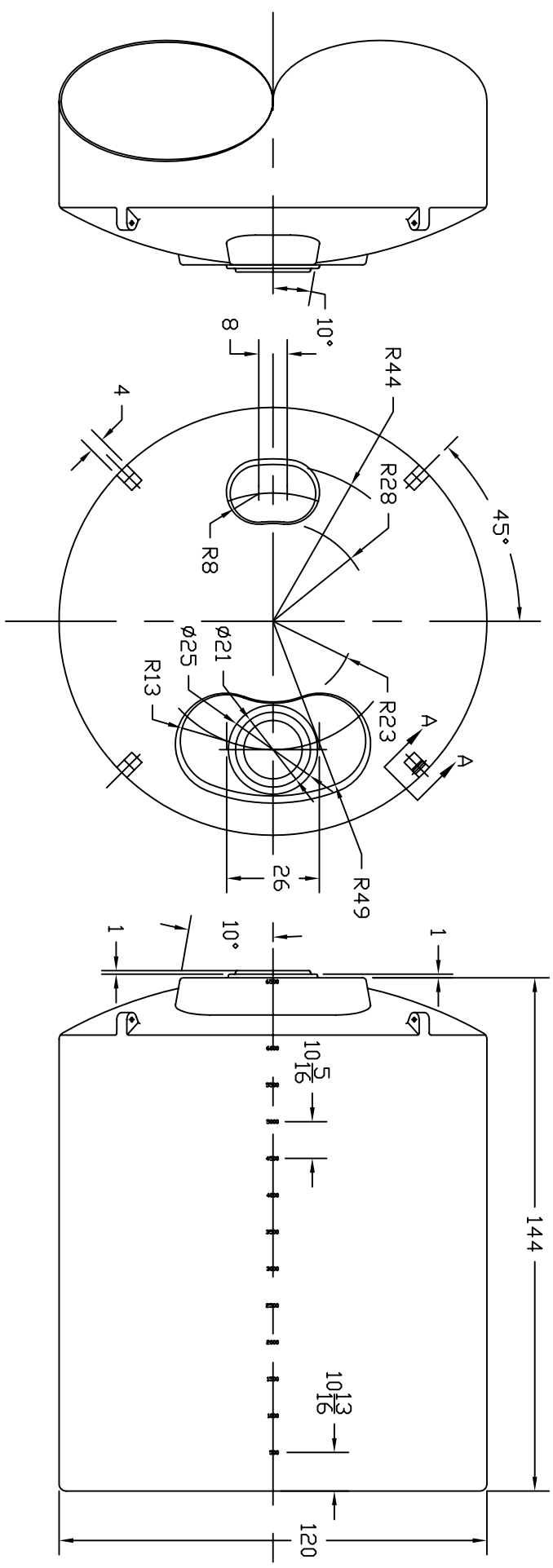


REVISIONS				
ZONE	REV	DESCRIPTION	DATE	APPROVED



VIEW A-A
1/8 SCALE

NORWESCO		ST. BONIFACIUS, MN	
6500 GALLON VERTICAL STORAGE TANK X 120 DIA		JTP 22AUG05	
SCALE 1/32	SIZE B	FSCM NO.	DWG NO.
SHEET		REV	