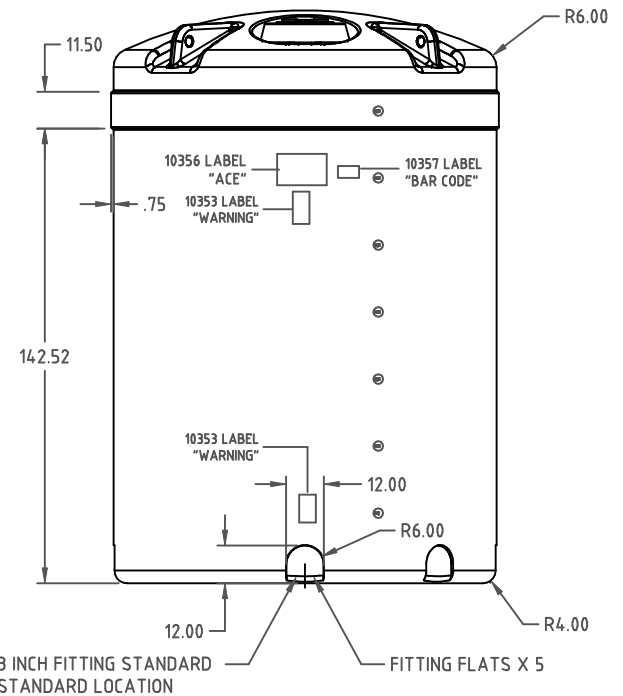
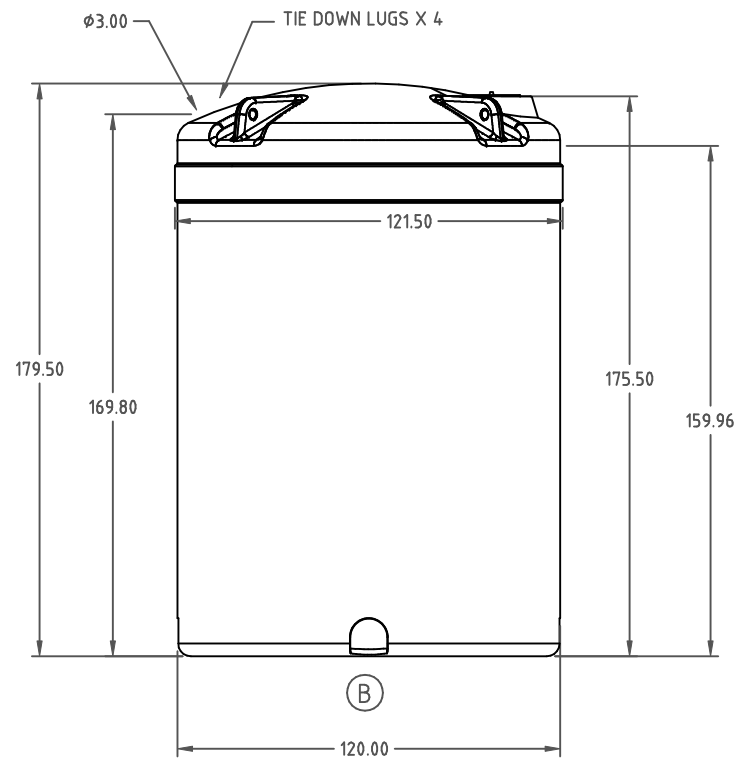
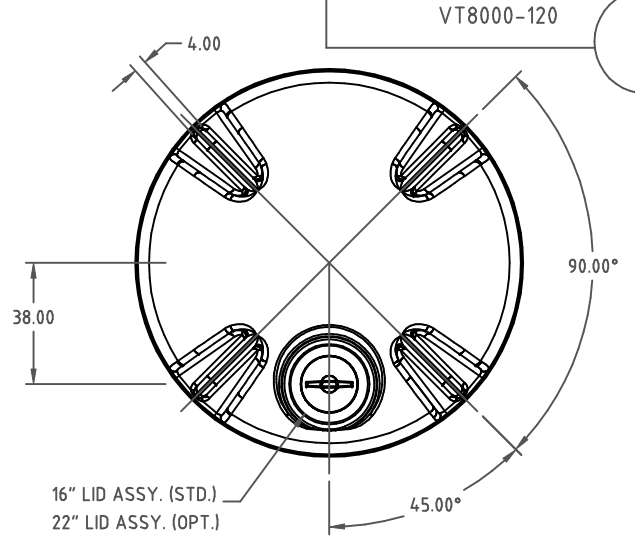
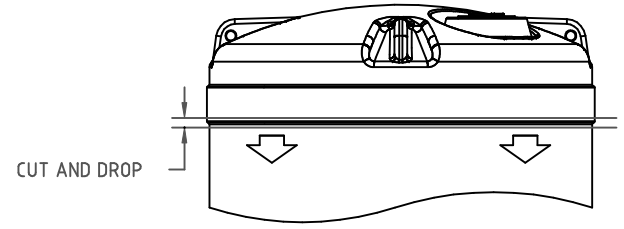
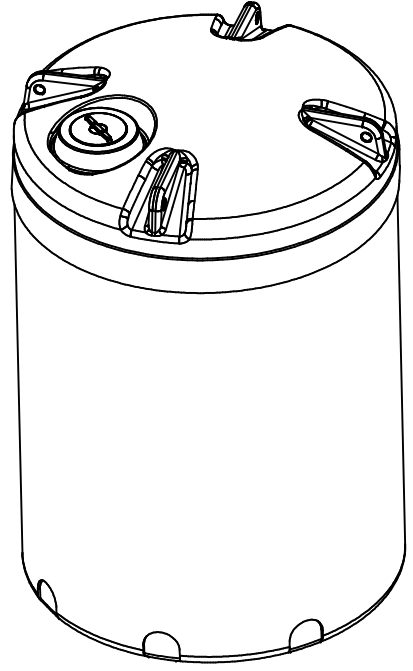


Copyright. All information furnished within this document, electronic file or design correspondence is the property of Den Hartog industries, Inc. and shall not be used, disclosed to others or copied without the expressed written consent of Den Hartog industries, Inc.

TANK MAY BE CONVERTED FOR A BOLT- ON TOP. CUT TANK AS SHOWN. TANK CAN THEN BE USED IN APPLICATIONS REQUIRING A REMOVEABLE TOP.



© 3 INCH FITTING STANDARD STANDARD LOCATION

C	ADDED STANDARD FITTING AND LOCATION	DHJ 3/31/10	2013	DRAWN / DATE	MATERIAL
B	CORRECT VIEW PERSPECTIVE. DRAWING TEMPLATE UPDATED, ADD THICKNESS	DHJ 6/25/09	1895	DHJ 12/4/06	1.) 2 MELT POWDER 10538
A	CHANGE PART #	12/12/06		APPRD. / DATE	
REV	DESCRIPTION	BY / DATE	CCN	ADH 11/20/07	
ALL DIMENSIONS ARE IN DECIMAL INCHES TOLERANCES UNLESS OTHERWISE SPECIFIED		THIRD ANGLE PROJECTION ANSI 14.5M		SHOT WEIGHT: 1930 LBS.	NOTES: B
POLYETHYLENE		METAL		SHIPPING WEIGHT: 1932 LBS.	1. 1.03 WALL @ FLAT
±1% @ 68° F		DECIMAL ± .125" FRACTION ± 1/4" ANGLE ± 1°		FINISH:	



Den Hartog
INDUSTRIES, INC.

Ace Roto-Mold Injection Molding Blow Molding Sowjoy
4010 HOSPERS DRIVE S. BOX 425, HOSPERS, IOWA 51238-0425

DESCRIPTION	8000 GALLON VERTICAL TANK	
SCALE	N.S.	PART NO. VT8000-120