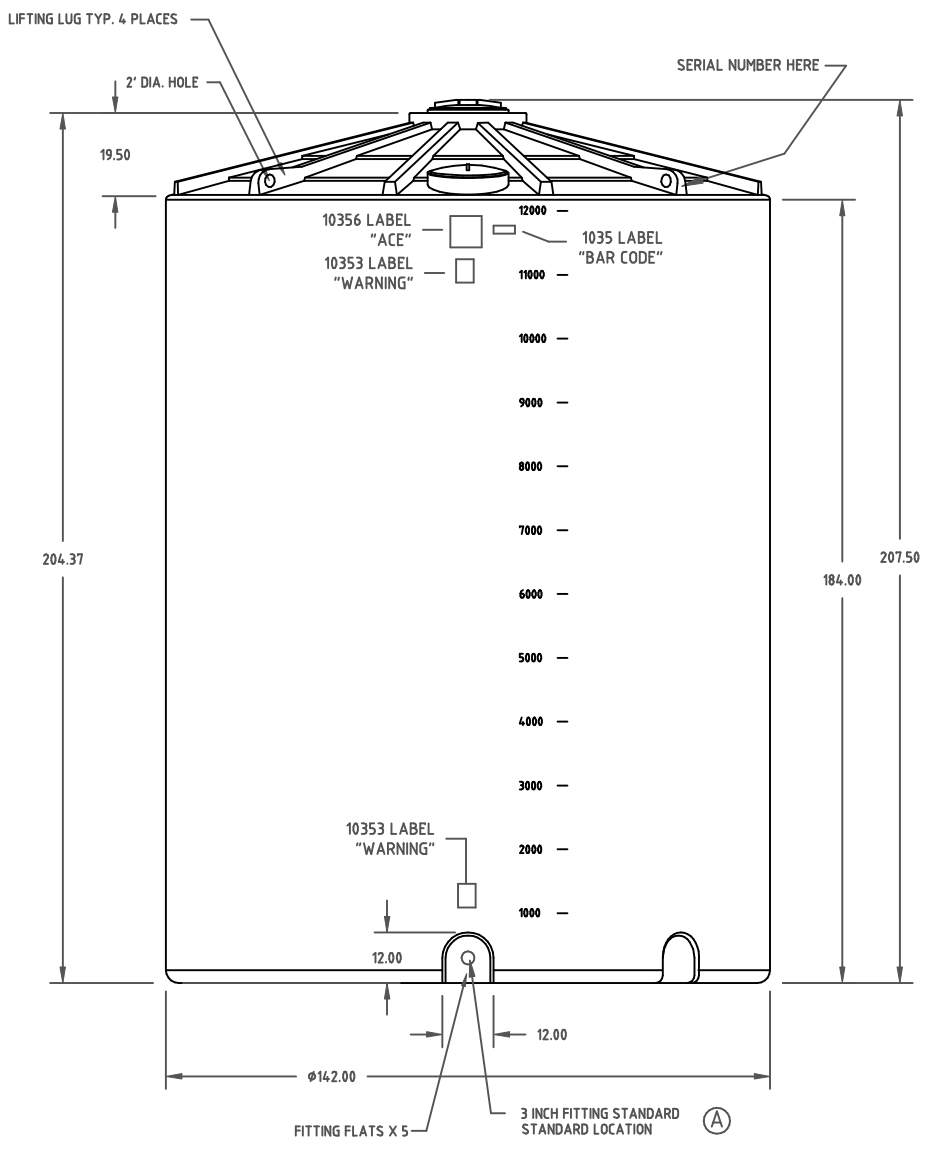
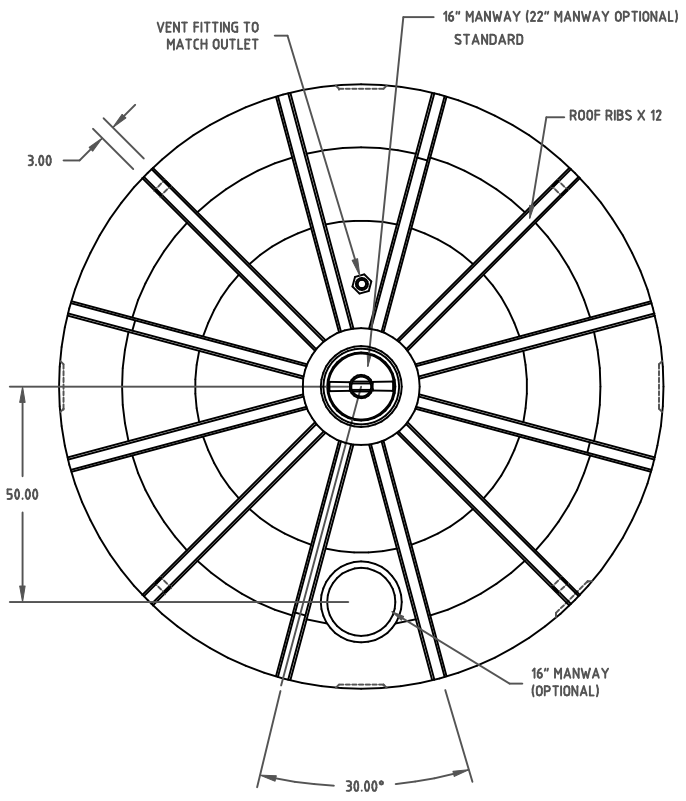



Copyright. All information furnished within this document, electronic file or design correspondence is the property of Den Hartog industries, Inc. and shall not be used, disclosed to others or copied without the expressed written consent of Den Hartog industries, Inc.



				DRAWN / DATE DHJ/4/13/09	MATERIAL 10538 2 MELT RESIN
A	ADD STANDARD FITTING LOCATION	DHJ 4/1/10	2013	APPRD. / DATE REH 6/17/09	
REV	DESCRIPTION	BY / DATE	CCN		
ALL DIMENSIONS ARE IN DECIMAL INCHES TOLERANCES UNLESS OTHERWISE SPECIFIED		THIRD ANGLE PROJECTION ANSI 14.5M		SHOT WEIGHT: 3400 LB.	NOTES: 1.) BLACK, WHITE, YELLOW 2.) THICKNESS AT FITTING 1.39 FOR 1.7 SPECIFIC GRAVITY
POLYETHYLENE		METAL DECIMAL ± .125" FRACTION ± 1/4" ANGLE ± 1°		SHIPPING WEIGHT: 3402 LB.	
±1% @ 68° F				FINISH:	



Den Hartog

INDUSTRIES, INC.

Ace Roto-Mold Injection Molding Blow Molding Sowjoy
4010 HOSPERS DRIVE S. BOX 425, HOSPERS, IOWA 51238-0421

DESCRIPTION ACE 12,500 GALLON TANK	
SCALE N.S.	PART NO. VT12500-142