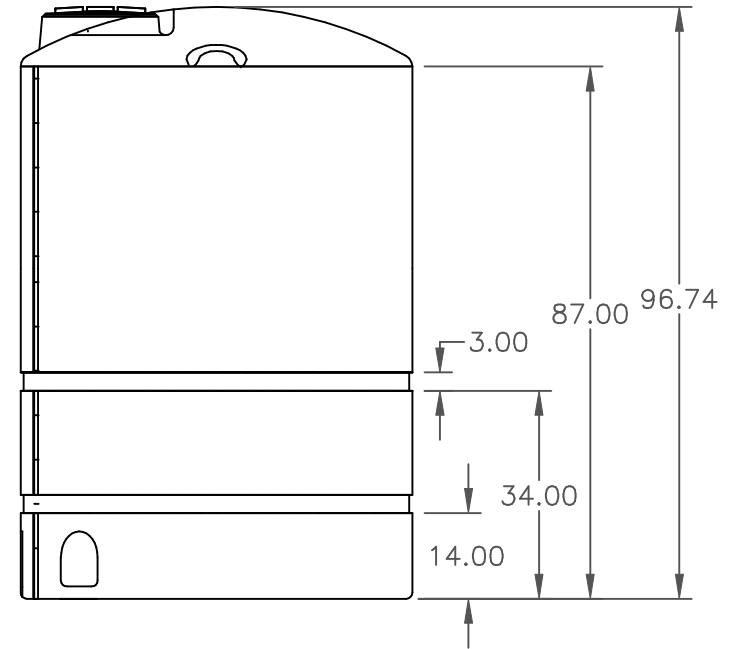
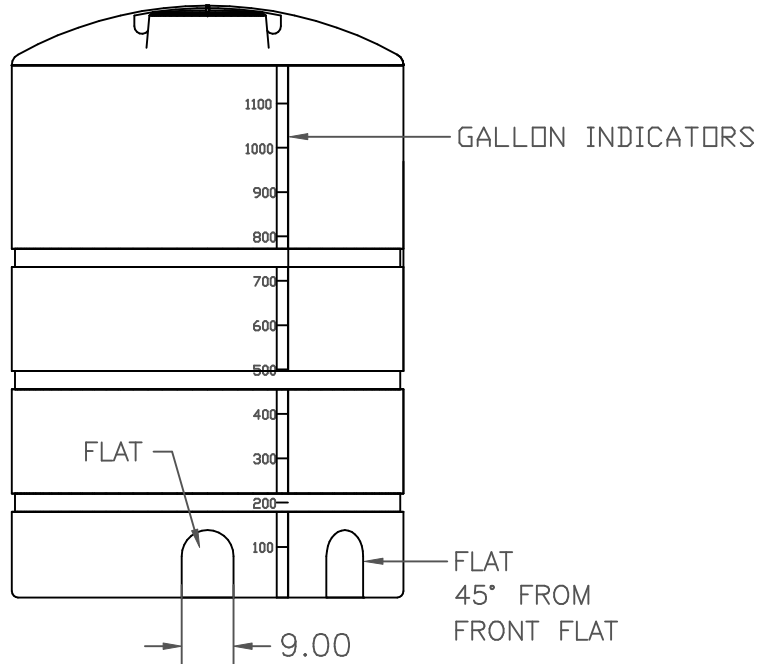
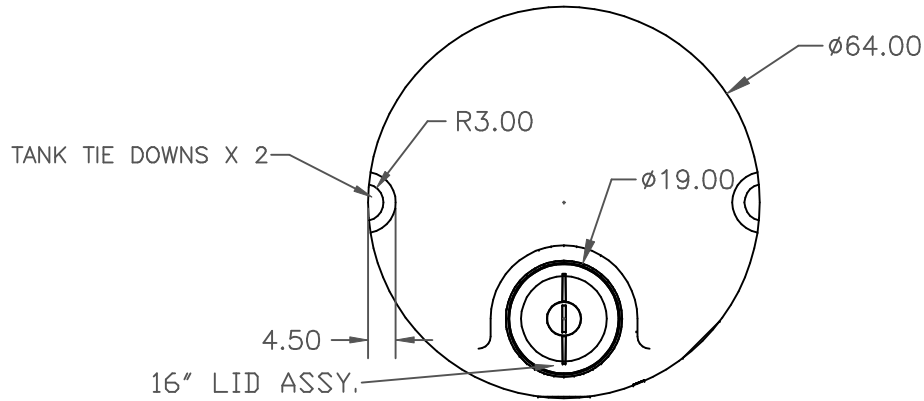


PROPRIETARY DATA

VT1200-64

A

PROPERTY OF ACE ROTO-MOLD MFG., INC. INFORMATION FURNISHED HEREIN IS THE PROPERTY OF ACE ROTO-MOLD MFG., INC. AND SHALL NOT BE USED, DISCLOSED TO OTHERS, OR COPIED WITHOUT THE EXPRESSED WRITTEN CONSENT OF ACE ROTO-MOLD MFG., INC. ALL RIGHTS RESERVED.



DRAWN / DATE

NVE 6/15/05

MATERIAL

HDPE OR EQUIVALENT
REFERENCE MATERIAL DATA SHEET
FOR SPECIFIC PROPERTIES.

APPRD. / DATE

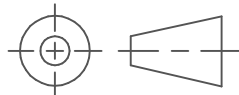
DHJ 6/21/05

CLIENT / DESCRIPTION

1200 GALLON VERTICAL TANK

ALL DIMENSIONS ARE IN DECIMAL INCHES
TOLERANCES UNLESS OTHERWISE SPECIFIED

THIRD ANGLE PROJECTION
ANSI 14.5M



NOTES:
1. .290 THICK AT FITTING LOCATIONS
2. WHITE OR YELLOW COLOR
3. SHOT WEIGHT 275 LBS.

SCALE

N.S.

PART NO.

VT1200-64

± 1% @ 68° F

ACE ROTO-MOLD
A DIVISION OF DEN HARTOG INDUSTRIES, INC.
4010 HOSPERS DRIVE S. BOX 425, HOSPERS, IOWA 51238-0421