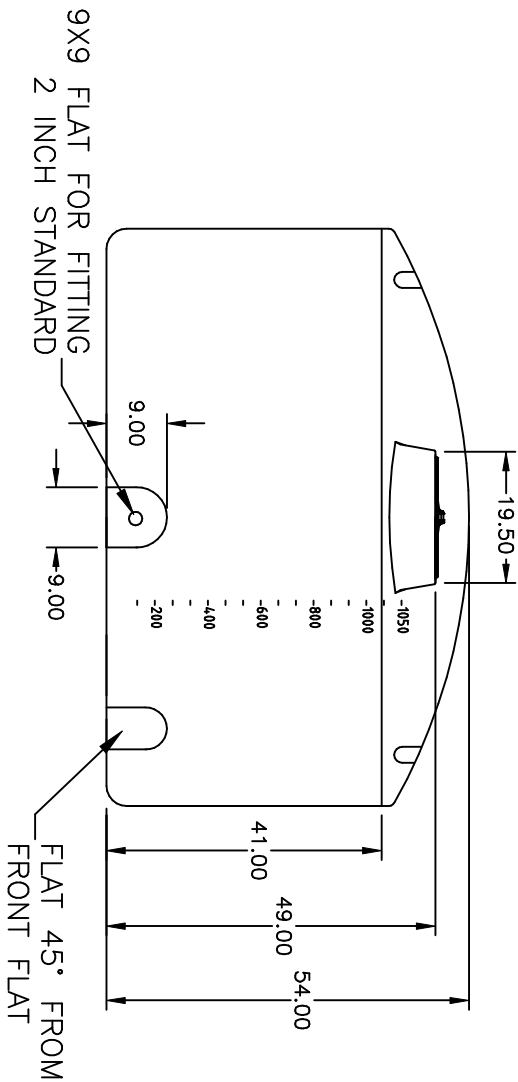
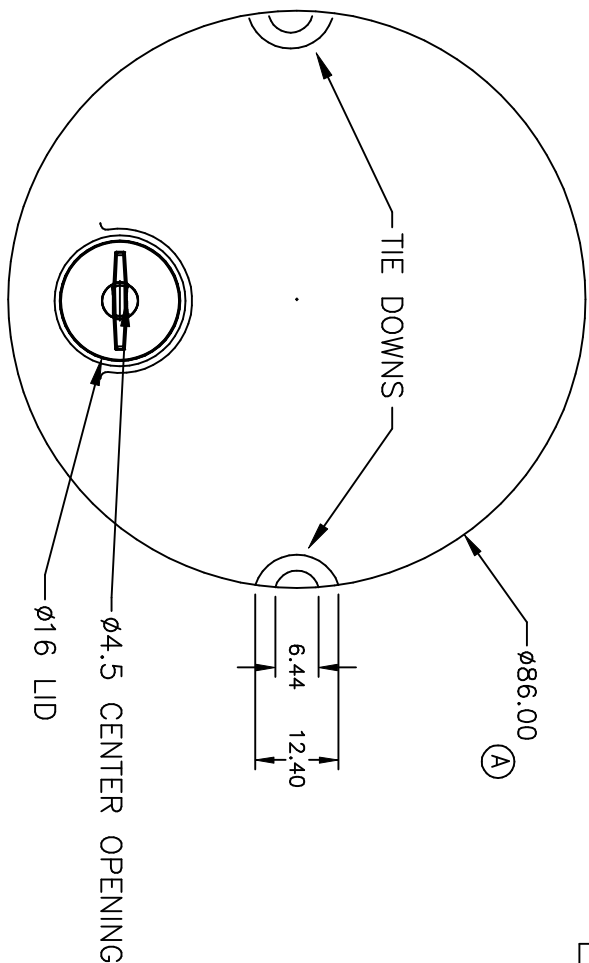


PROPRIETARY DATA

PROPERTY OF DEN HARTOG INDUSTRIES, INC. INFORMATION FURNISHED HEREIN IS THE PROPERTY OF DEN HARTOG INDUSTRIES, INC. AND SHALL NOT BE USED, DISCLOSED TO OTHERS, OR COPIED WITHOUT THE EXPRESSED WRITTEN CONSENT OF DEN HARTOG INDUSTRIES, INC. ALL RIGHTS RESERVED.

VT1050-86

A



REV	DESCRIPTION	DATE	APPRD
A	DIAMETER WAS 85, PN WAS VT1050-85	7/31/06	NVE

DRAWN / DATE		APPRD. / DATE	
NVE 6/13/05		DHI 6/21/05	

MATERIAL

HOPE OR EQUIVALENT
REFERENCE MATERIAL DATA SHEET
FOR SPECIFIC PROPERTIES.

NOTES:
1. .190 THICK AT FITTING
2. WHITE OR COLOR
3. SHOT WEIGHT 190 LBS.

THIRD ANGLE PROJECTION
ANSI X1.3M

ACE ROTO-MOLD
A DIVISION OF DEN HARTOG INDUSTRIES, INC.
4010 HWY. 60 BLVD., BOX 425, HOSPERS, IOWA 51238

CLIENT / DESCRIPTION: 1050 GALLON VERTICAL TANK

SCALE: N.S.

PART NO.: VT1050-86

ALL DIMENSIONS ARE IN DECIMAL INCHES
TOLERANCES UNLESS OTHERWISE SPECIFIED

$\pm 1\% @ 68^\circ F$

