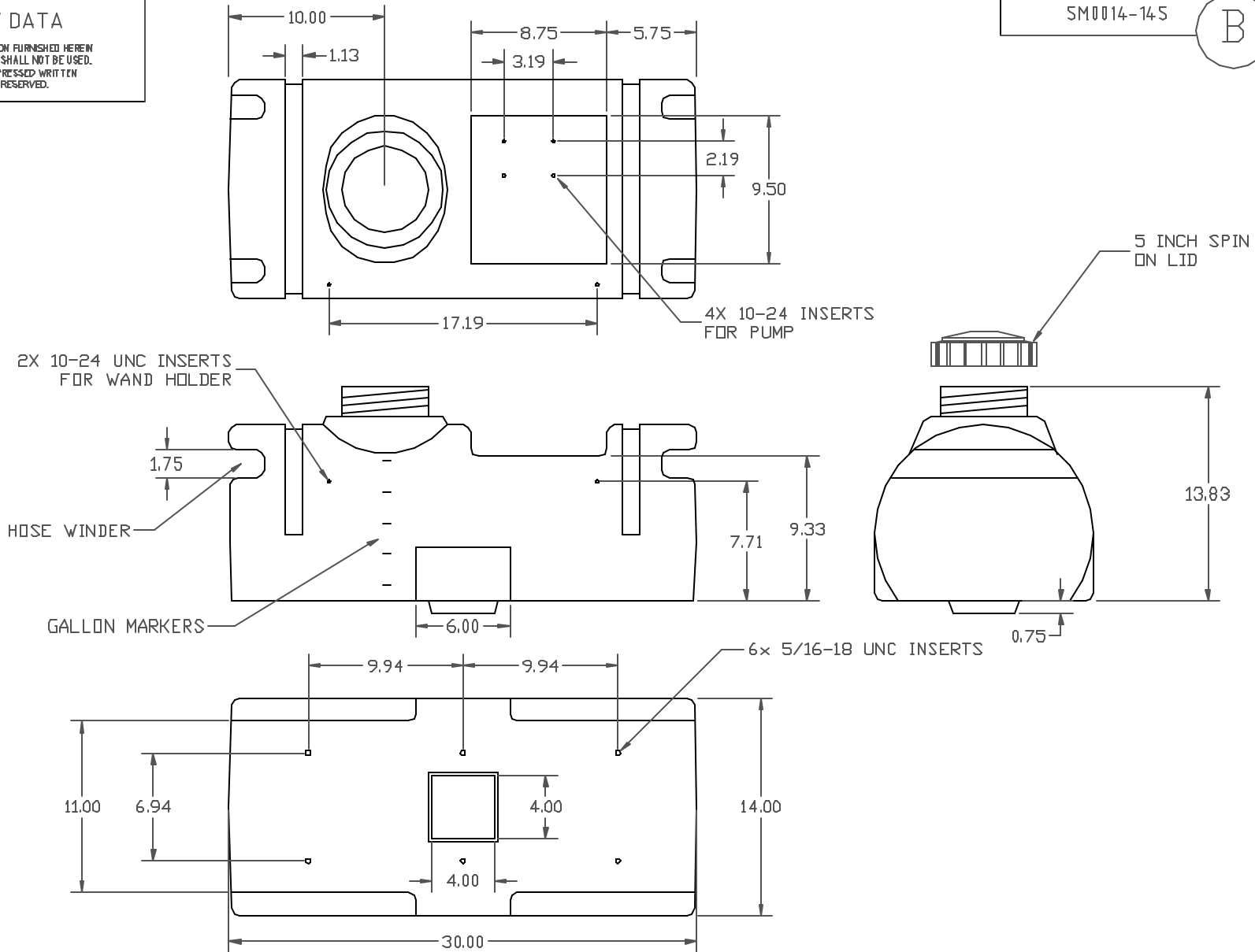



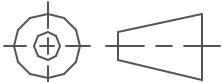
PROPRIETARY DATA

PROPERTY OF ACE ROTO-MOLD MFG., INC. INFORMATION FURNISHED HEREIN IS THE PROPERTY OF ACE ROTO-MOLD MFG., INC. AND SHALL NOT BE USED, DISCLOSED TO OTHERS, OR COPIED WITHOUT THE EXPRESSED WRITTEN CONSENT OF ACE ROTO-MOLD MFG., INC. ALL RIGHTS RESERVED.

SM0014-14S

B



				DRAWN / DATE DHJ 9/15/13	MATERIAL	 ACE ROTO-MOLD A DIVISION OF DEN HARTOG INDUSTRIES, INC. 4018 HWY. 611 BLVD., BOX 421, HOSPERS, IDWA 51238	
B	CHANGE PART # CCN1291	4/9/07			HDPE OR EQUIVALENT REFERENCE MATERIAL DATA SHEET FOR SPECIFIC PROPERTIES.		
A	CHANGE PART #	9/28/06		APPROD. / DATE REH 4/11/17		CLIENT / DESCRIPTION 14 GALLON SPOT SPRAYER WITH SUMP	
REV	DESCRIPTION	DATE	APPROD			SCALE N.S.	PART NO. SM0014-14S
ALL DIMENSIONS ARE IN DECIMAL INCHES TOLERANCES UNLESS OTHERWISE SPECIFIED $\pm 1\%$ @ 68° F				THIRD ANGLE PROJECTION ANSI 14.5M 	NOTES: 1. .175 NOM. WALL 2. SHOT WEIGHT 8 LBS.		