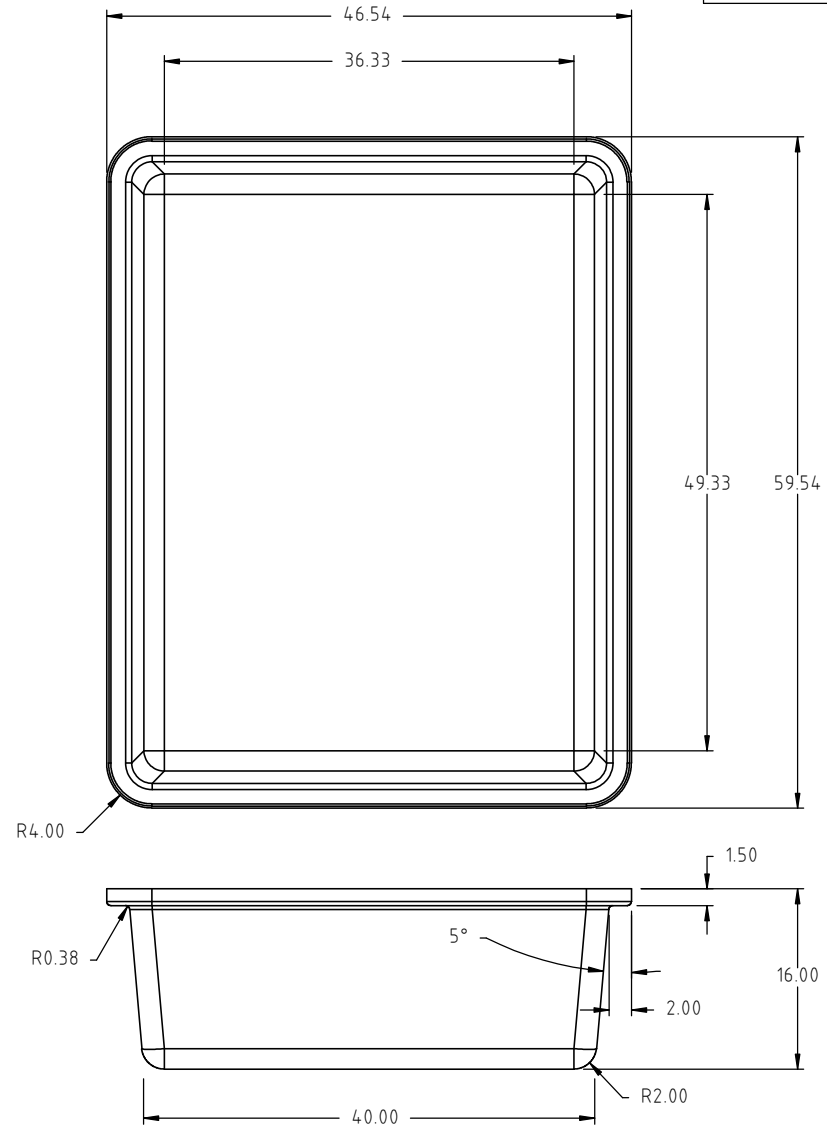
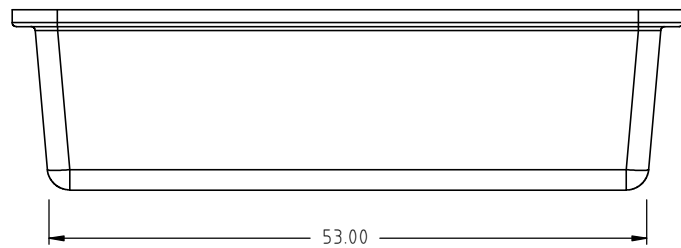
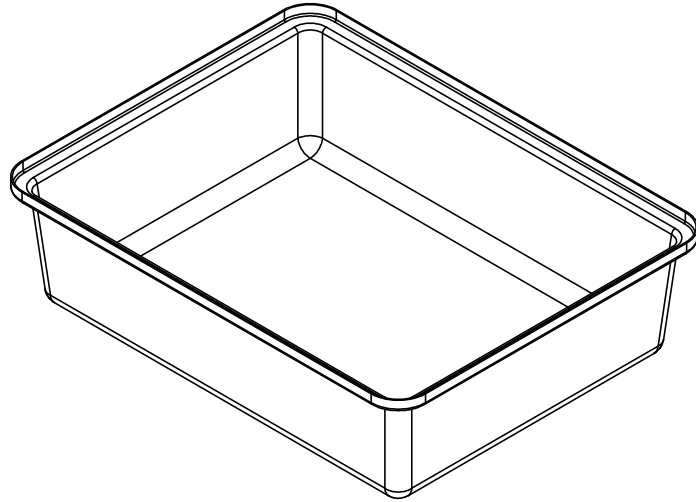


© DEN HARTOG INDUSTRIES, INC.

Copyright. All information furnished within this document, electronic file or design correspondence is the property of Den Hartog industries, Inc. and shall not be used, disclosed to others or copied without the expressed written consent of Den Hartog Industries, Inc.

OPR0150-RT



|     |   |                                      |     |                             |                               |
|-----|---|--------------------------------------|-----|-----------------------------|-------------------------------|
|     |   |                                      |     | DRAWN / DATE<br>ADH 2/6/12  | MATERIAL<br>10420 NATURAL     |
|     |   |                                      |     | APPRD. / DATE<br>REH 2/6/12 |                               |
| REV | DESCRIPTION   | BY / DATE                            | CCN | SHOT WEIGHT:<br>71 LB.      | NOTES:<br>1.) NOM. WALL 0.18" |
|     | ALL DIMENSIONS ARE IN DECIMAL INCHES<br>TOLERANCES UNLESS OTHERWISE SPECIFIED |                                      |     | SHIPPING WEIGHT:<br>35 LB.  |                               |
|     | <u>POLYETHYLENE</u>   | THIRD ANGLE PROJECTION<br>ANSI 14.5M |     | FINISH:                     |                               |
|     | ±1% @ 68°F  |                                      |     |                             |                               |
|     | METAL<br>DECIMAL ± .125"<br>FRACTION ± 1/4"<br>ANGLE ± 1°                     |                                      |     |                             |                               |



**Den Hartog**  
INDUSTRIES, INC.

Acro Roto-Mold Injection Molding Blow Molding Sowjoy

4010 HOSPERS DRIVE S. BOX 425, HOSPERS, IOWA 51238-0425

|             |                             |                     |
|-------------|-----------------------------|---------------------|
| DESCRIPTION | 150 GALLON CONTAINMENT TANK |                     |
| SCALE       | N.S.                        | PART NO. OPR0150-RT |