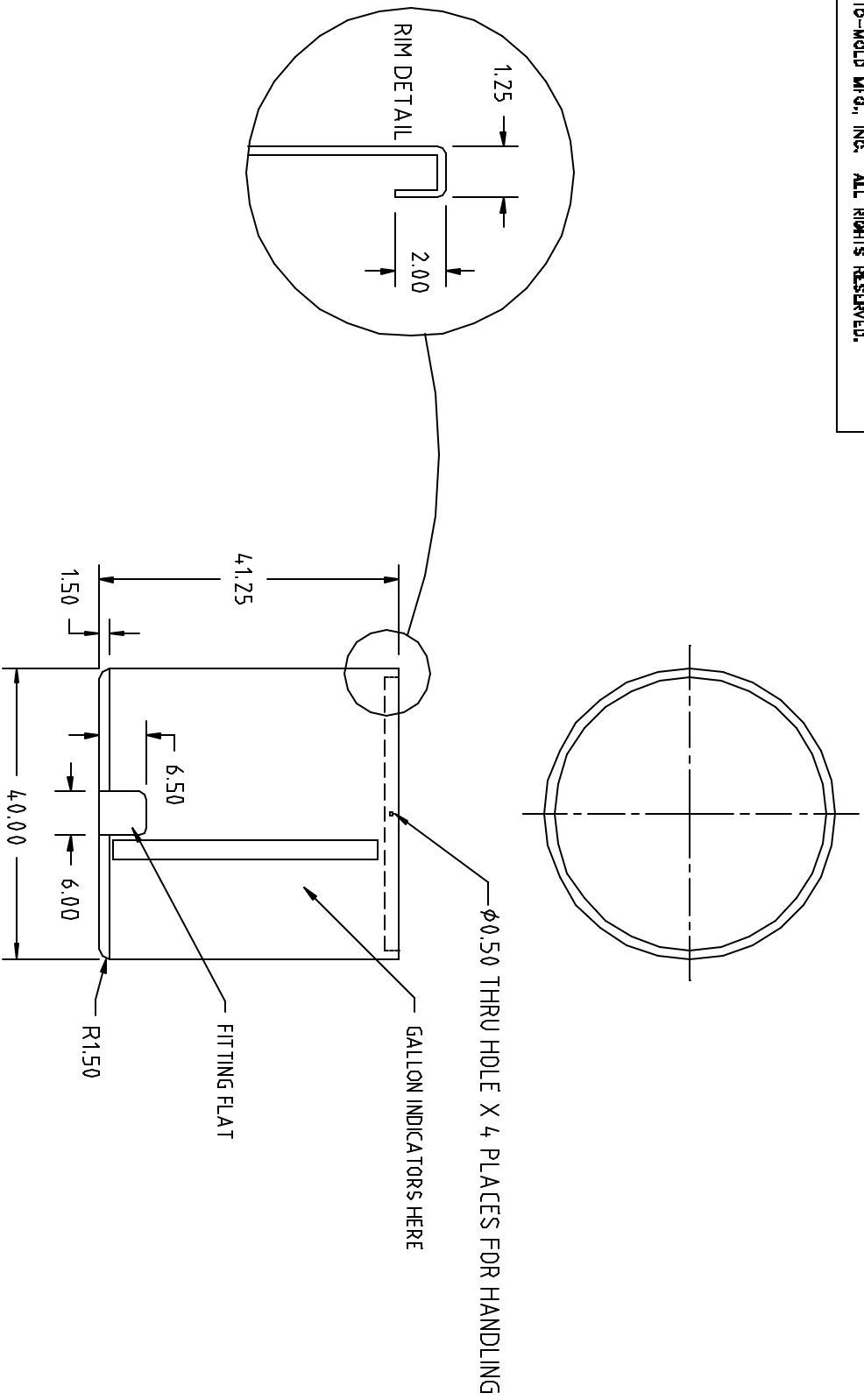


PROPRIETARY DATA

PROPERTY OF ACE ROTO-MOLD MFG., INC. INFORMATION FURNISHED HEREIN IS THE PROPERTY OF ACE ROTO-MOLD MFG., INC. AND SHALL NOT BE USED, DISCLOSED TO OTHERS, OR COPIED WITHOUT THE EXPRESSED WRITTEN CONSENT OF ACE ROTO-MOLD MFG., INC. ALL RIGHTS RESERVED.

OP0210-40



REV	DESCRIPTION	DATE	APPRD

DRAWN / DATE	REH / DATE
REH / 05 / 6 / 02	REH / 05 / 5 / 02

MOBIL 134 = 48 LB.	<p>THIRD ANGLE PROJECTION ANSI 14.3M</p>
--------------------	--

ALL DIMENSIONS ARE IN DECIMAL INCHES
TOLERANCES UNLESS OTHERWISE SPECIFIED
+ 1% @ 68° F

ACE ROTO-MOLD
A DIVISION OF DEW HARTOG INDUSTRIES, INC.
4018 HWY. 60 BLVD., BOX 421, HOSPER, IOWA 51238

CLIENT / DESCRIPTION
ACE 210 GALLDN OPEN TOP TANK

SCALE N.S. PART NO. OP0210-40