

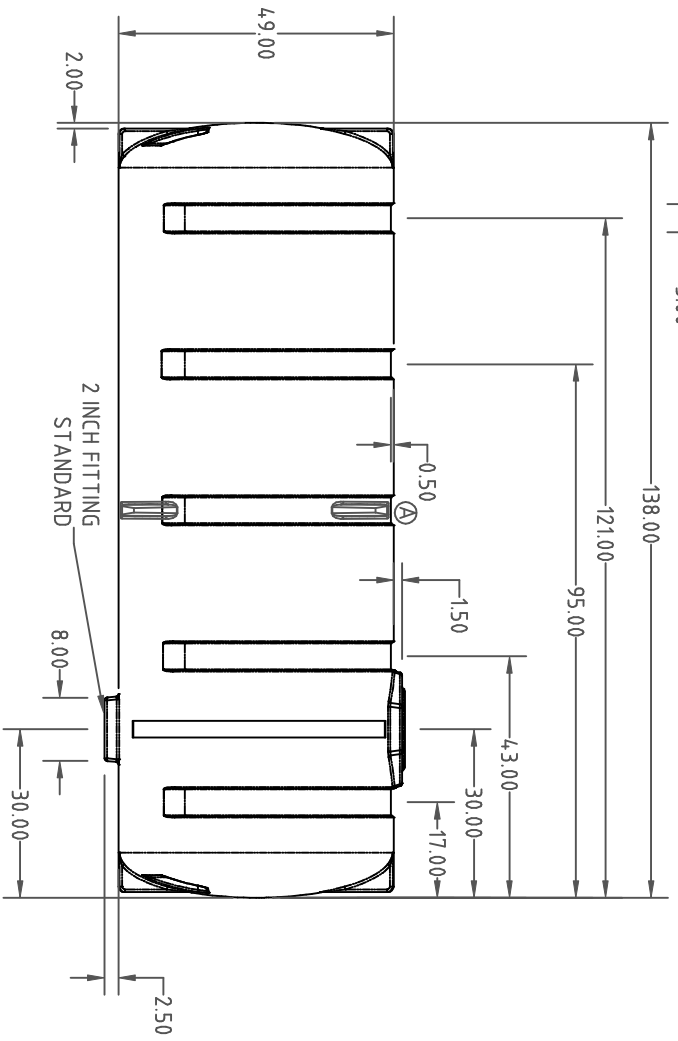
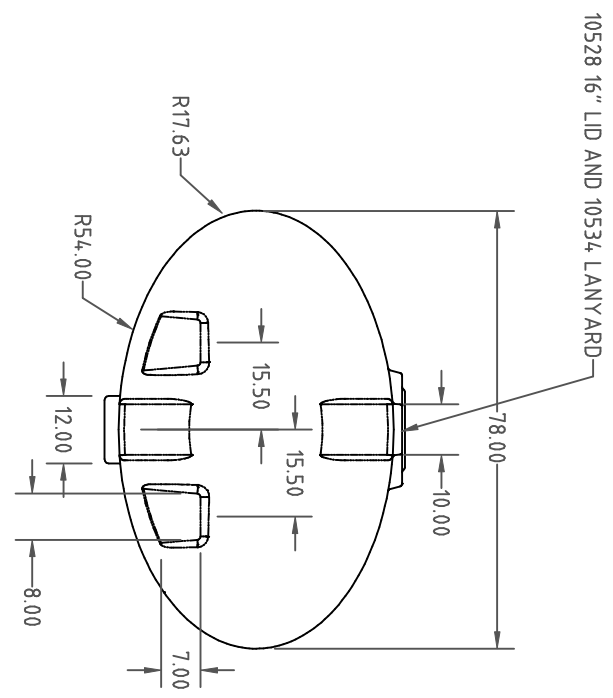
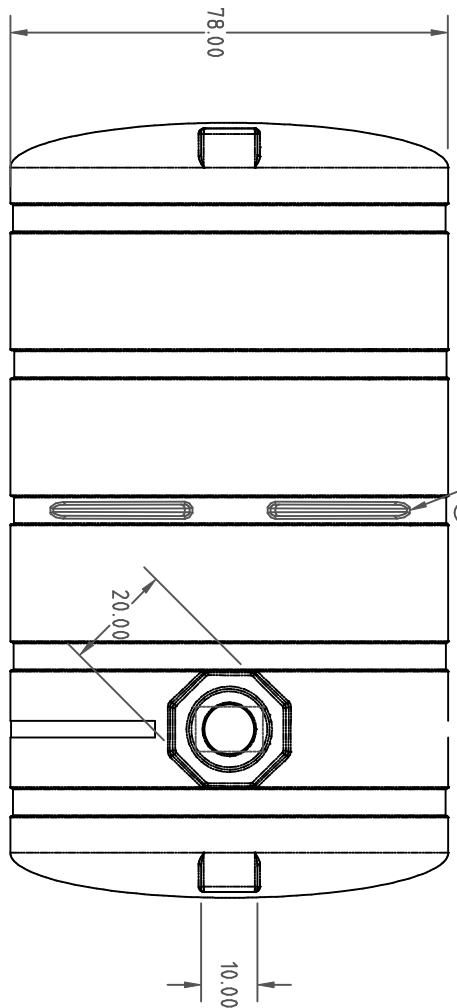
© DEN HARTOG INDUSTRIES, INC.

Copyright: All information furnished within this document, electronic file or design correspondence is the property of Den Hartog Industries, Inc., and shall not be used, disclosed to others or copied without the expressed written consent of Den Hartog Industries, Inc.

TANK BAFFLES-SEE DRAWING HE1600-BAF FOR ASSEMBLY.

HE1600-78

A



REV	DESCRIPTION	DATE	APPRD	DRAWN / DATE	REH/8/16/04
A	BAFFLE SLOTS ADDED TO PRINT CGN 1746	ADH 11/10/08		APPRD. / DATE	
				DHJ/8/16/04	

ALL DIMENSIONS ARE IN DECIMAL INCHES
TOLERANCES UNLESS OTHERWISE SPECIFIED
+ .5% @ 68° F



MATERIAL	SHOT WEIGHT
M111	M134
	400
	U625
	P938

NOTES:
1. .335 NOMINAL WALL

ACE ROTO-MOLD
A DIVISION OF DEN HARTOG INDUSTRIES, INC.
4010 HOSPERS DRIVE S., BOX 425, HOSPERS, IOWA 51238

SCALE N.S.
PART NO. HE1600-78