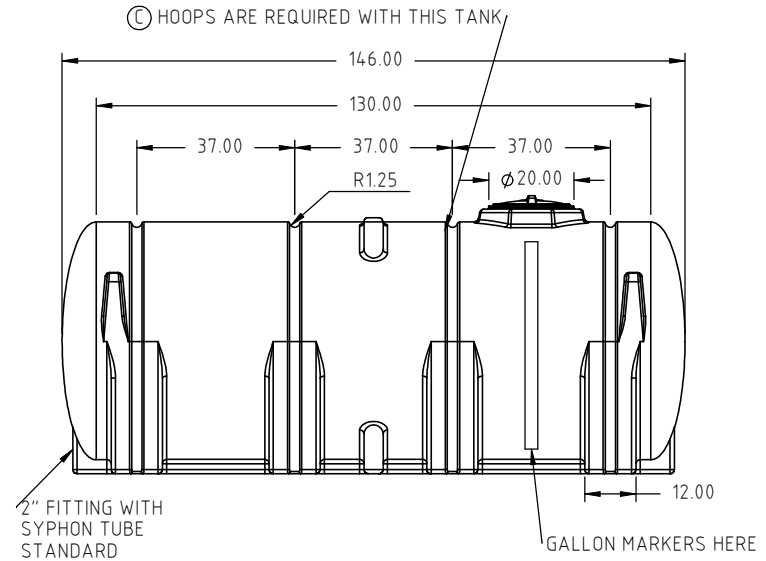
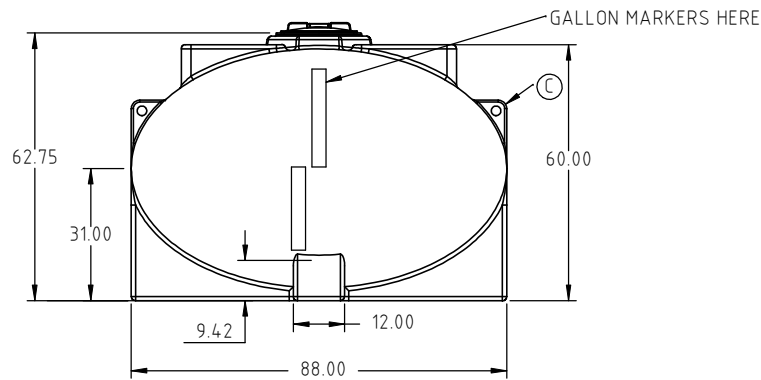
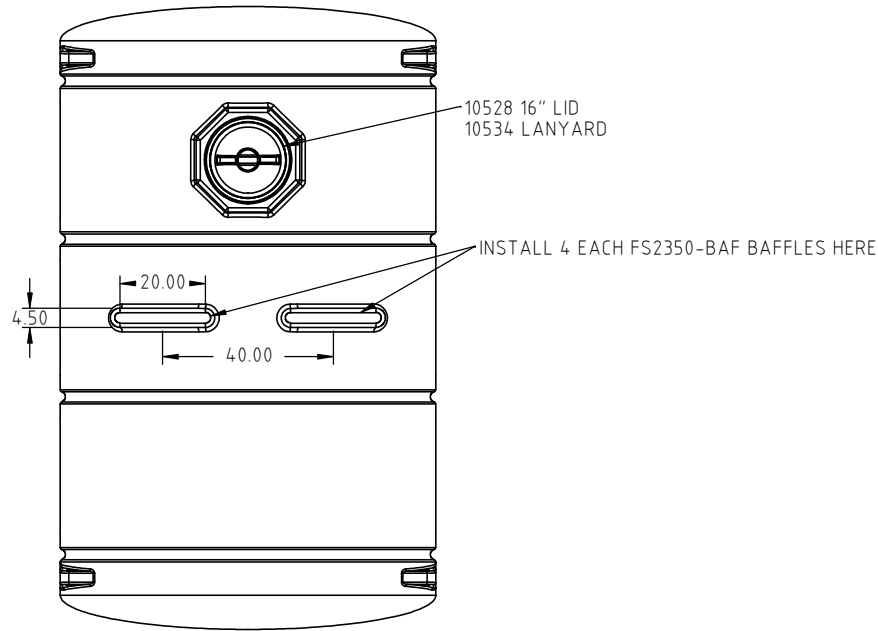



Copyright. All information furnished within this document, electronic file or design correspondence is the property of Den Hartog Industries, Inc. and shall not be used, disclosed to others or copied without the expressed written consent of Den Hartog Industries, Inc.



C	SHIP WT., NOTES ADDED, LIFTING LUGS SHOWN	ADH 4/7/10	2015	DRAWN / DATE	MATERIAL  10538 NATURAL
B	TOLERANCE AND ADDRESS UPDATED	ADH 2/16/09	1800	DHJ 9/22/04	
A	CHANGED PART #	4/6/06		APPRD. / DATE	
REV	DESCRIPTION	BY / DATE	CCN	REH 9/22/04	
ALL DIMENSIONS ARE IN DECIMAL INCHES TOLERANCES UNLESS OTHERWISE SPECIFIED		THIRD ANGLE PROJECTION ANSI 14.5M		SHOT WEIGHT: 840 LBS.	NOTES: 1.) 0.480 NOMINAL WALL 2.) BLUE, BLACK, WHITE OR YELLOW COLOR
POLYETHYLENE		METAL DECIMAL ± .125" FRACTION ± 1/4" ANGLE ± 1°		SHIPPING WEIGHT: 920 LBS.	
±1% @ 68°F				FINISH:	



**Den Hartog**  
INDUSTRIES, INC.

*Acra Roto-Mold Injection Molding Blow Molding Sowjoy*

4010 HOSPERS DRIVE S. BOX 425, HOSPERS, IOWA 51238-0425

DESCRIPTION <b>2350 GALLON ELLIPTICAL LEG TANK</b>	
SCALE N.S.	PART NO. FS2350-88