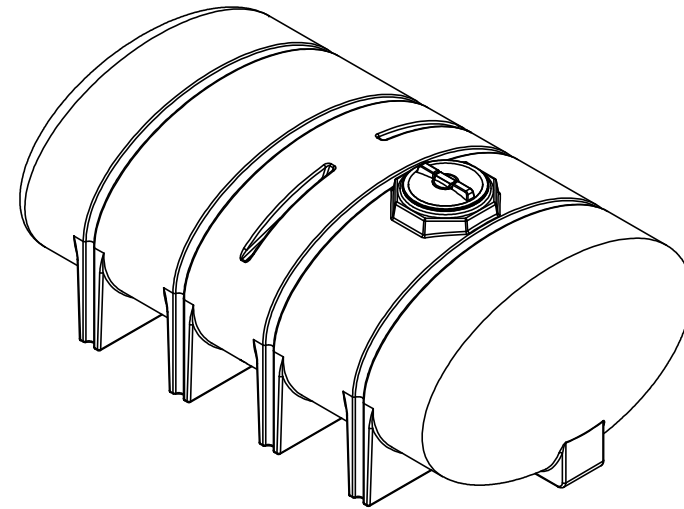
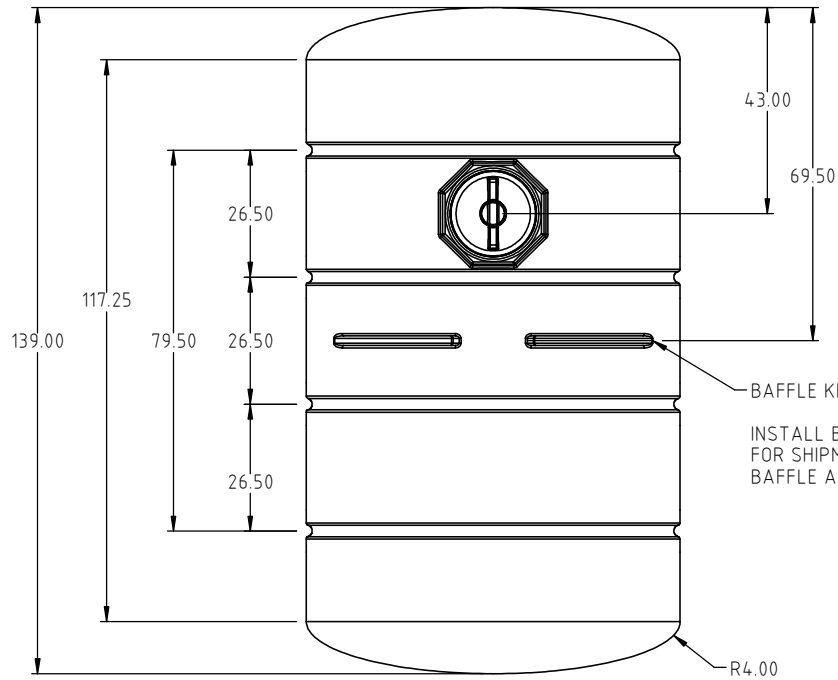
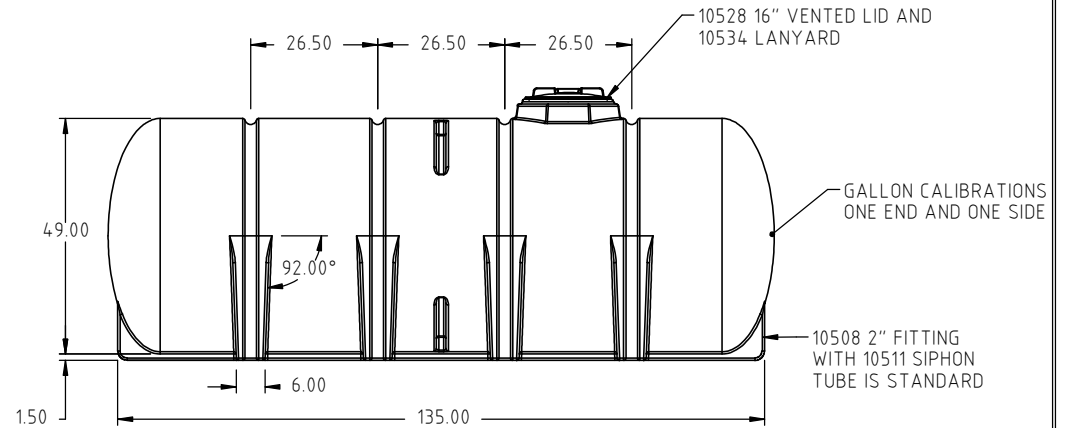
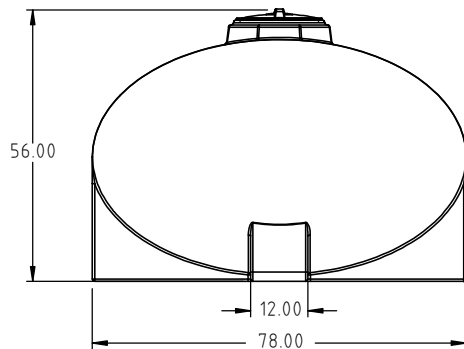


Copyright. All information furnished within this document, electronic file or design correspondence is the property of Den Hartog industries, Inc. and shall not be used, disclosed to others or copied without the expressed written consent of Den Hartog Industries, Inc.



BAFFLE KEYS 4 PLACES
INSTALL BAFFLES AND STRUTS FOR SHIPMENT. SEE FS1610-78 BAFFLE ASSEMBLY DIAGRAM.



				DRAWN / DATE REH 6/10/11	MATERIAL 10538
				APPRD. / DATE DHJ 6/10/11	
REV	DESCRIPTION	BY / DATE	CCN		
ALL DIMENSIONS ARE IN DECIMAL INCHES TOLERANCES UNLESS OTHERWISE SPECIFIED		THIRD ANGLE PROJECTION ANSI 14.5M		SHOT WEIGHT: 490.00 LBS	NOTES: 1.) NOM. WALL = 0.375
POLYETHYLENE ±1% @ 68°F		METAL DECIMAL ± .125" FRACTION ± 1/4" ANGLE ± 1°		SHIPPING WEIGHT: 530.00 LBS (INC. BAFFLES)	



Den Hartog
INDUSTRIES, INC.

Acro-Roto-Mold Injection Molding Blow Molding Sowjoy

4010 HOSPERS DRIVE S. BOX 425, HOSPERS, IOWA 51238-0425

DESCRIPTION 1610 FLAT BOTTOM LEG TANK	
SCALE N.S.	PART NO. FS1610-78