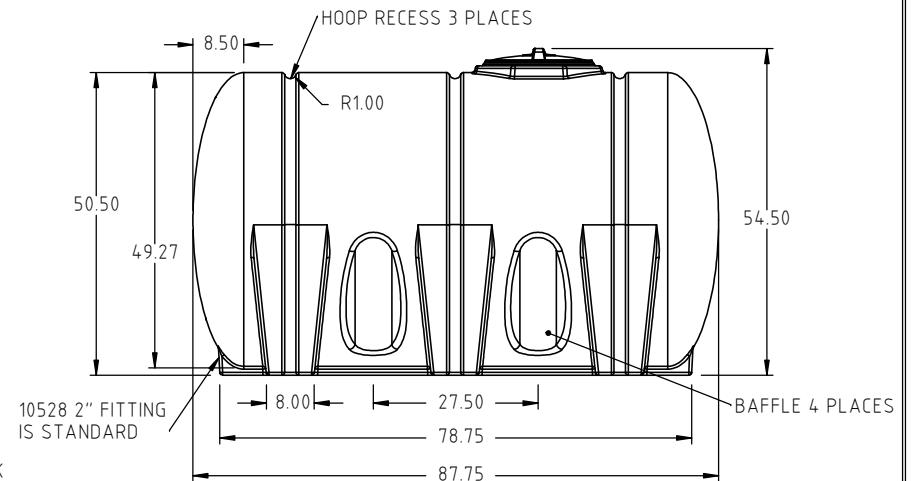
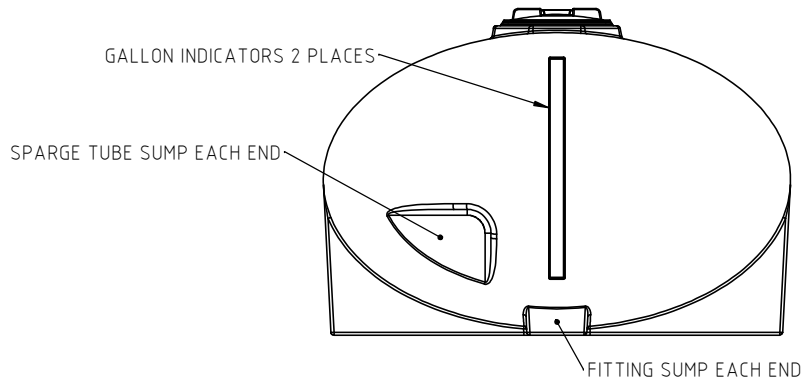
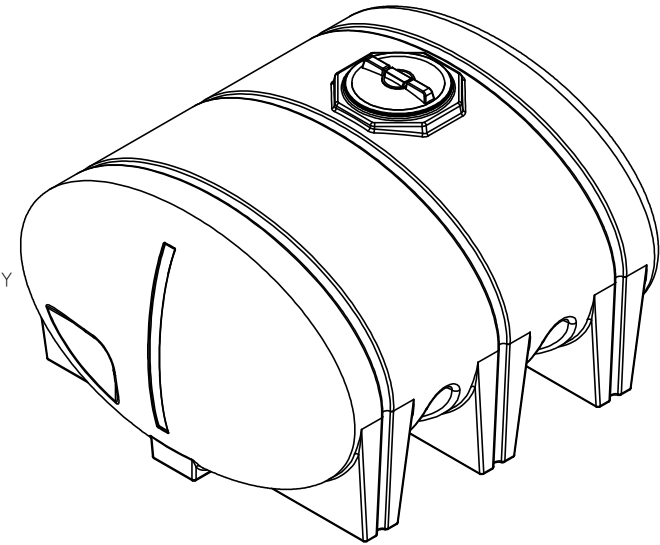
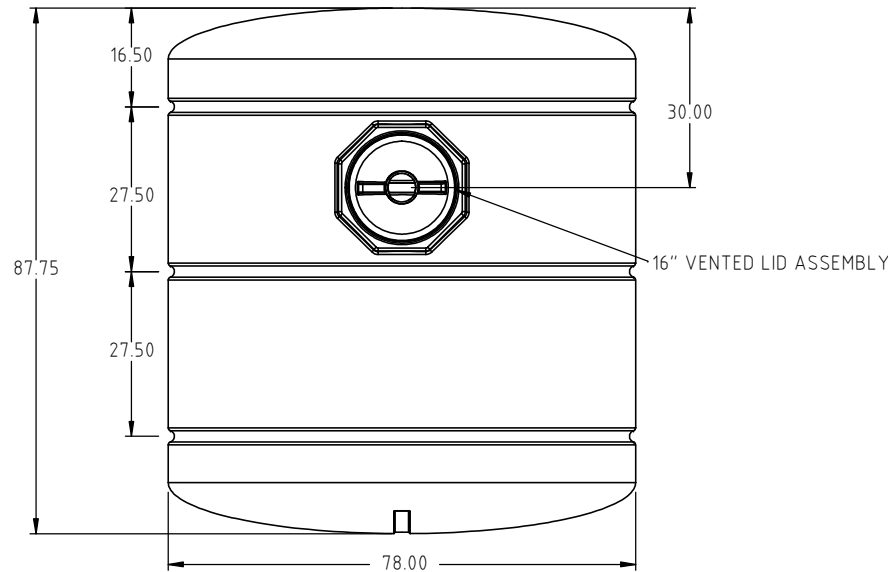



Copyright. All information furnished within this document, electronic file or design correspondence is the property of Den Hartog industries, Inc. and shall not be used, disclosed to others or copied without the expressed written consent of Den Hartog Industries, Inc.



NOTE: 3 HOOPS ARE REQUIRED ON THIS TANK

				DRAWN / DATE REH 9/19/00	MATERIAL
A	UPDATE WEIGHT WAS 280 LBS. DRAWING TEMPLATE UPDATED	DHJ 2/1/12	2367	APPRD. / DATE REH 9/19/00	MDPE
REV	DESCRIPTION	BY / DATE	CCN		
ALL DIMENSIONS ARE IN DECIMAL INCHES TOLERANCES UNLESS OTHERWISE SPECIFIED		THIRD ANGLE PROJECTION ANSI 14.5M		SHOT WEIGHT: 290 LBS. SHIPPING WEIGHT: 292 LBS.	NOTES: 1.) AVAILABLE IN BLUE, BLACK GREEN, WHITE, OR YELLOW COLOR 2.) NOM. WALL = .375
POLYETHYLENE ±1% @ 68°F		METAL DECIMAL ±.125" FRACTION ± 1/4" ANGLE ± 1°		FINISH:	



Den Hartog
INDUSTRIES, INC.

Acc Roto-Mold Injection Molding Blow Molding Sowjoy

4010 HOSPERS DRIVE S. BOX 425, HOSPERS, IOWA 51238-0425

DESCRIPTION 1035 GALLON ELLIPTICAL LEG TANK	
SCALE N.S.	PART NO. FS1035-78