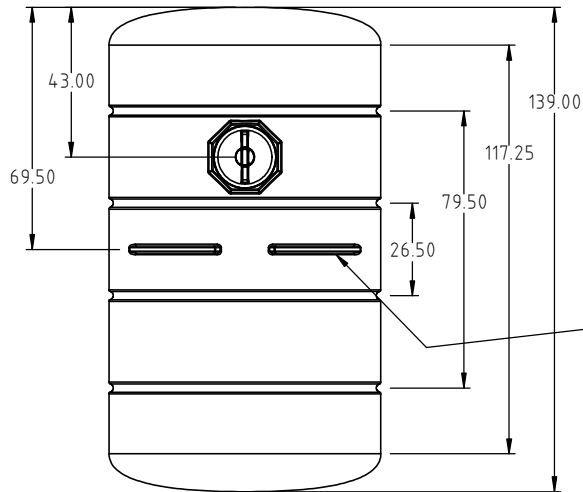


© DEN HARTOG INDUSTRIES, INC.

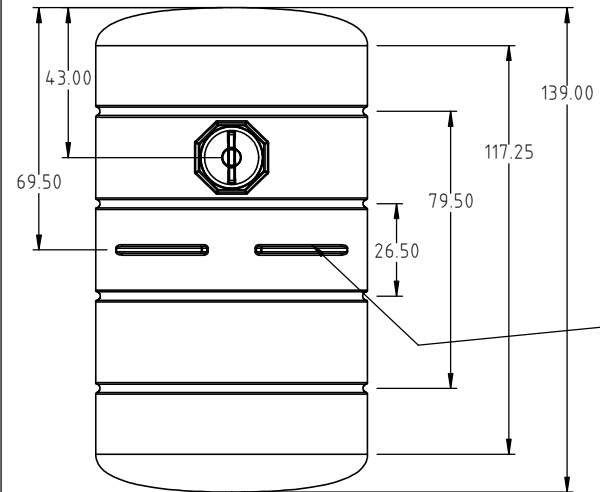
Copyright. All information furnished within this document, electronic file or design correspondence is the property of Den Hartog industries, Inc. and shall not be used, disclosed to others or copied without the expressed written consent of Den Hartog Industries, Inc.

FM1850-78



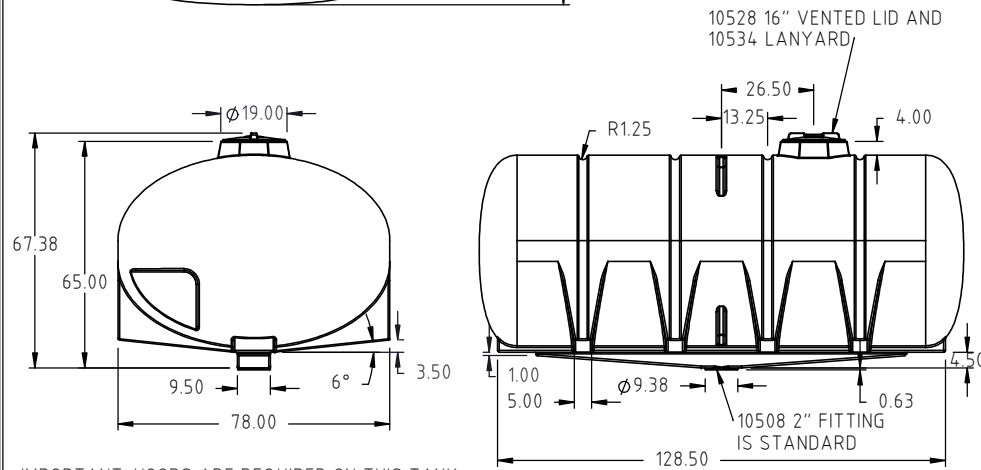
FM1850-78C
CENTER DRAIN SUMP

BAFFLE KEYS 4 PLACES
INSTALL BAFFLES AND STRUTS
FOR SHIPMENT.

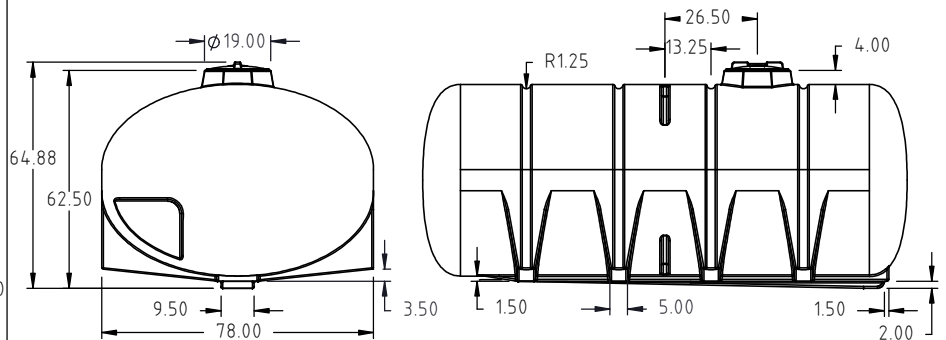


FM1850-78E
END DRAIN SUMP

BAFFLE KEYS 4 PLACES
INSTALL BAFFLES AND STRUTS
FOR SHIPMENT.



IMPORTANT: HOOPS ARE REQUIRED ON THIS TANK



IMPORTANT: HOOPS ARE REQUIRED ON THIS TANK

DRAWN / DATE ADH 12/5/11		MATERIAL 10538	
APPRD. / DATE REH 2/21/12		NOTES: 1.) NOM. WALL @ .375 2.) WHITE OR YELLOW COLOR	
REV	DESCRIPTION	BY / DATE	CCN
ALL DIMENSIONS ARE IN DECIMAL INCHES TOLERANCES UNLESS OTHERWISE SPECIFIED		SHOT WEIGHT: 525 LB.	
POLYETHYLENE		SHIPPING WEIGHT: 571 LB.	
METAL DECIMAL ± .125" FRACTION ± 1/4" ANGLE ± 1°		FINISH:	
±1% @ 68°F		THIRD ANGLE PROJECTION ANSI 14.5M	



Den Hartog
INDUSTRIES, INC.

Acc Roto-Mold Injection Molding Blow Molding Sowjoy

4010 HOSPERS DRIVE S. BOX 425, HOSPERS, IOWA 51238-0425

DESCRIPTION	1850 GALLON LEG TANK	
SCALE	N.S.	PART NO. FM1850-78