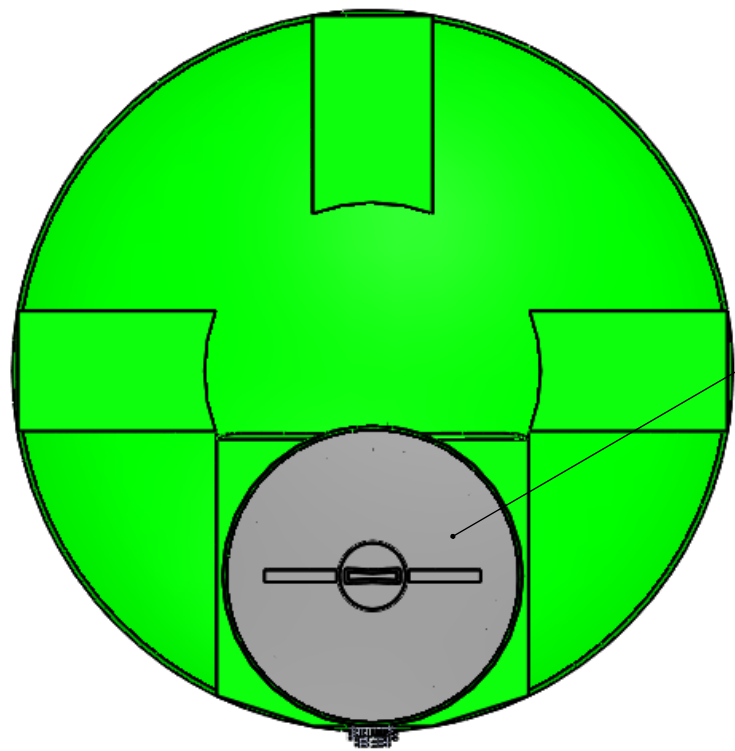
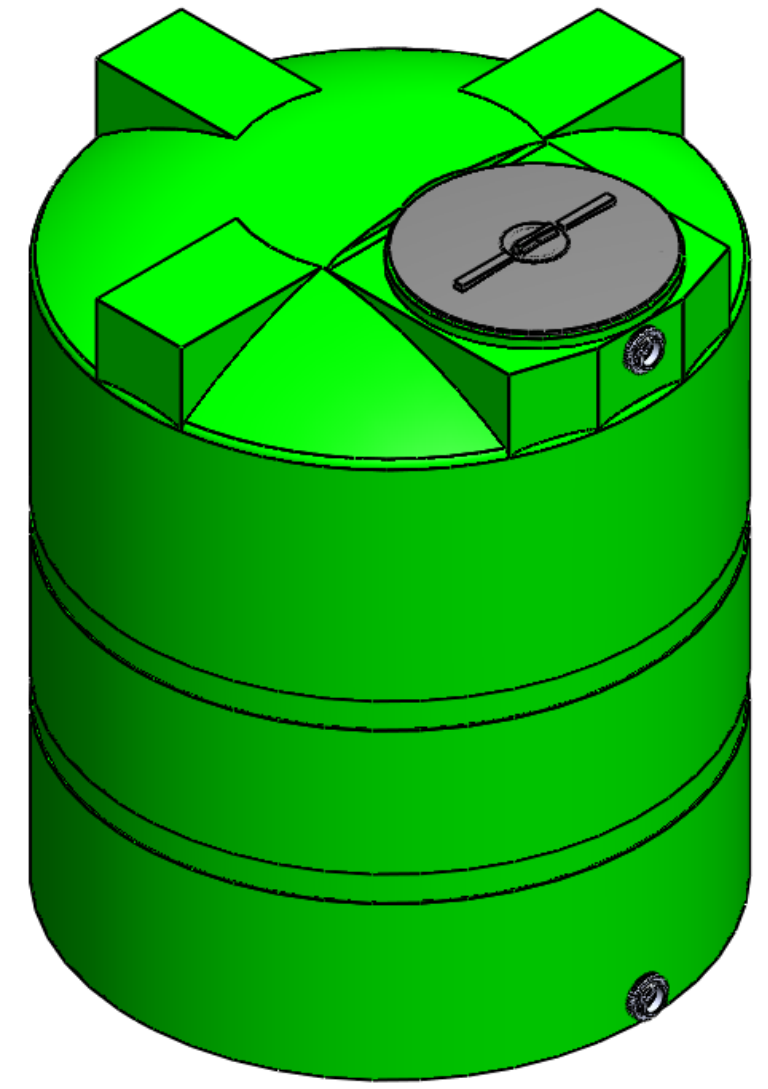


D  
C  
B  
A

D  
C  
B  
A



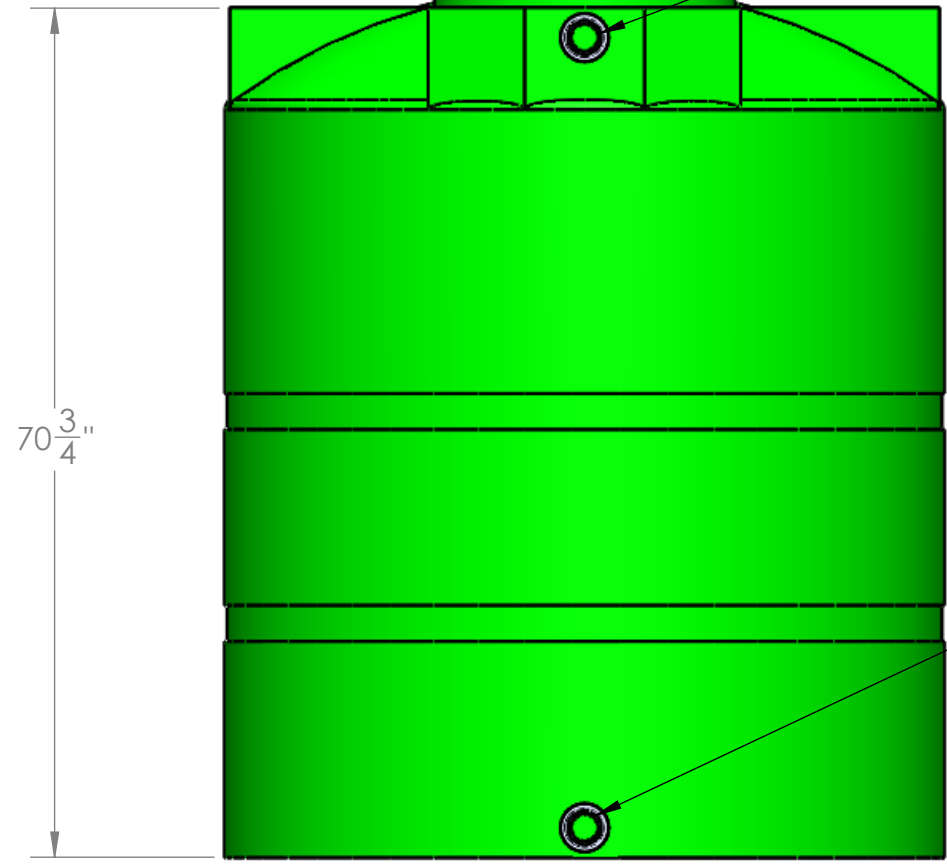
24" THREADED LID  
W/BREATHER



2" NPT  
POLYPRO FITTING

NOTE:

1. MATERIAL: HDPE
2. COLOR: DARK GREEN
3. WEIGHT: 115 LBS.




70 <sup>3</sup>/<sub>4</sub>"

Ø 60"

2" NPT  
POLYPRO FITTING

**PROPRIETARY AND CONFIDENTIAL**  
THE INFORMATION CONTAINED IN THIS DRAWING IS THE SOLE PROPERTY OF <INSERT COMPANY NAME HERE>. ANY REPRODUCTION IN PART OR AS A WHOLE WITHOUT THE WRITTEN PERMISSION OF <INSERT COMPANY NAME HERE> IS PROHIBITED.

		UNLESS OTHERWISE SPECIFIED:		NAME	DATE	 <b>877-468-2657</b>
		DIMENSIONS ARE IN INCHES TOLERANCES: FRACTIONAL ± ANGULAR: MACH ± BEND ± TWO PLACE DECIMAL ± THREE PLACE DECIMAL ±		DRAWN	EBW	
		INTERPRET GEOMETRIC TOLERANCING PER:		CHECKED		
		MATERIAL		ENG APPR.		
		FINISH		MFG APPR.		
NEXT ASSY	USED ON			Q.A.		
APPLICATION		DO NOT SCALE DRAWING		COMMENTS:		
						<b>TITLE:</b> 825 GALLON VERTICAL TANK, FRESH WATER GREEN
		SIZE	DWG. NO.			REV
		<b>B</b>	<b>825 VT FWG</b>			
				SCALE: 1:24	WEIGHT:	SHEET 1 OF 1