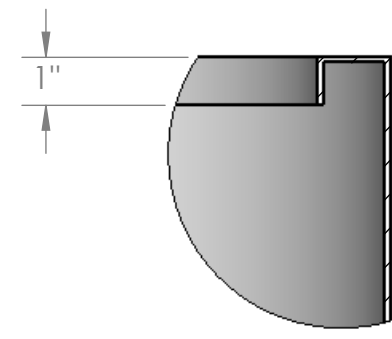
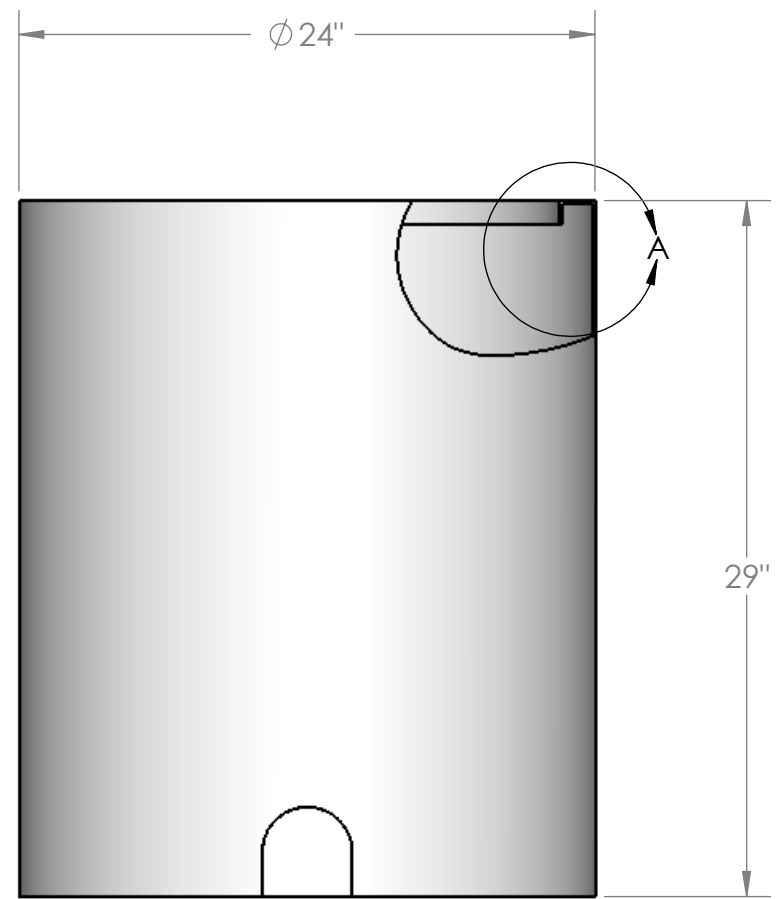
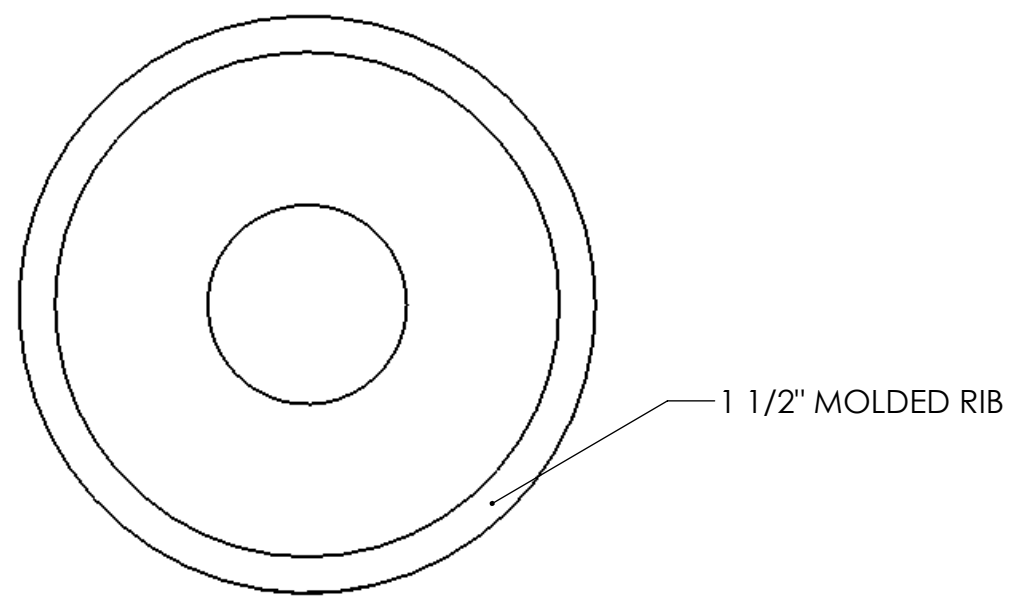


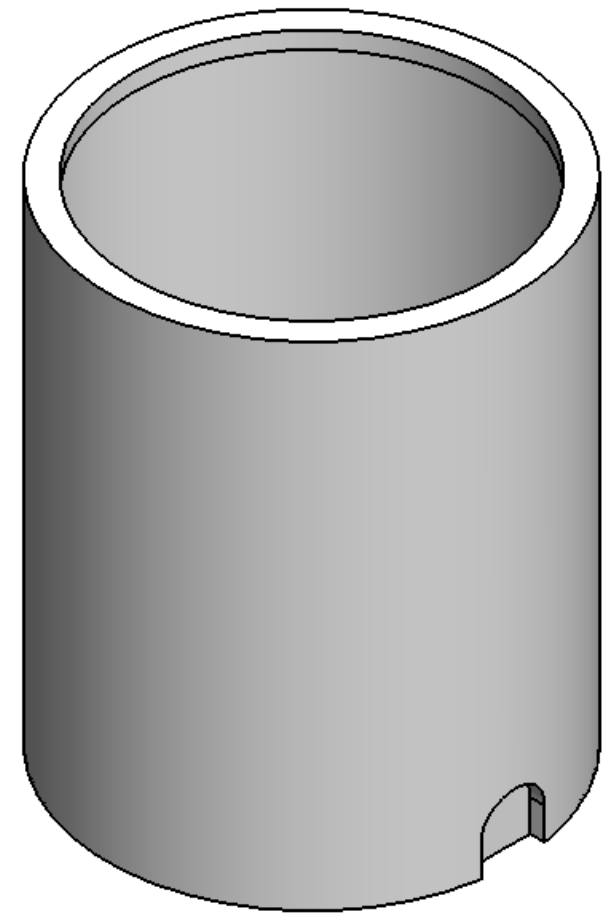
8 7 6 5 4 3 2 1

D  
C  
B  
A

D  
C  
B  
A




DETAIL A  
SCALE 1 : 4



- NOTES:
1. MATERIAL: HDPE
  2. MOLDED WT. 16 LBS.

**PROPRIETARY AND CONFIDENTIAL**  
 THE INFORMATION CONTAINED IN THIS DRAWING IS THE SOLE PROPERTY OF <INSERT COMPANY NAME HERE>. ANY REPRODUCTION IN PART OR AS A WHOLE WITHOUT THE WRITTEN PERMISSION OF <INSERT COMPANY NAME HERE> IS PROHIBITED.

		UNLESS OTHERWISE SPECIFIED:		NAME	DATE	 <b>877-468-2657</b>
		DIMENSIONS ARE IN INCHES TOLERANCES: FRACTIONAL ± ANGULAR: MACH ± BEND ± TWO PLACE DECIMAL ± THREE PLACE DECIMAL ±		DRAWN	3-25-11	
		INTERPRET GEOMETRIC TOLERANCING PER:		CHECKED		TITLE:  <b>50 GALLON OPEN TOP TANK</b>
		MATERIAL		ENG APPR.		
		FINISH		MFG APPR.		
NEXT ASSY	USED ON	DO NOT SCALE DRAWING		Q.A.		SIZE <b>B</b> DWG. NO. <b>50 OTT</b> REV
APPLICATION				COMMENTS:		SCALE: 1:12 WEIGHT: SHEET 1 OF 1

8 7 6 5 4 3 2 1