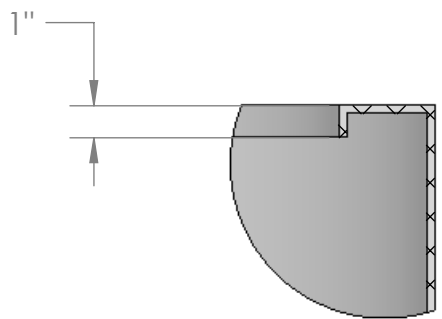
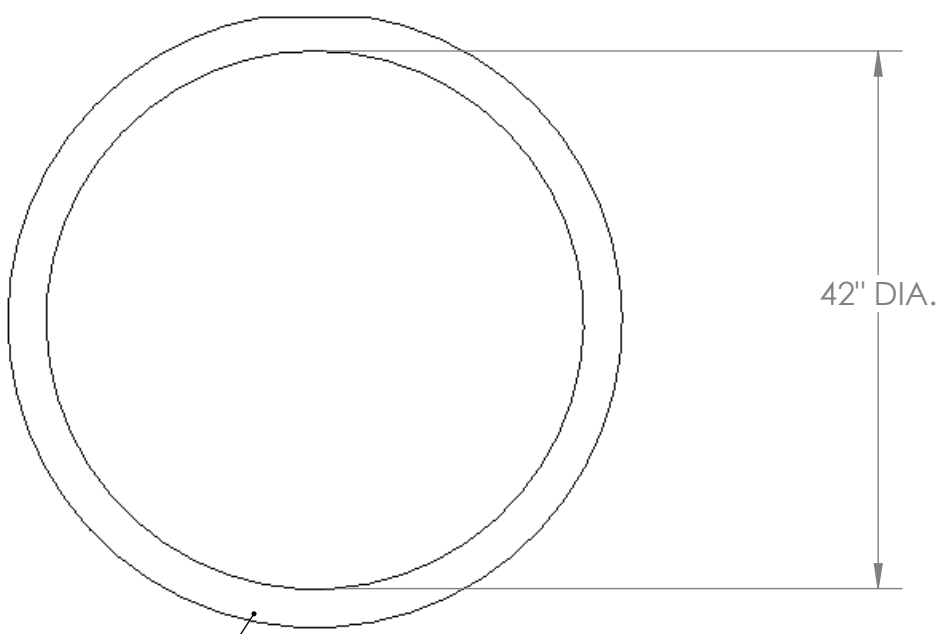


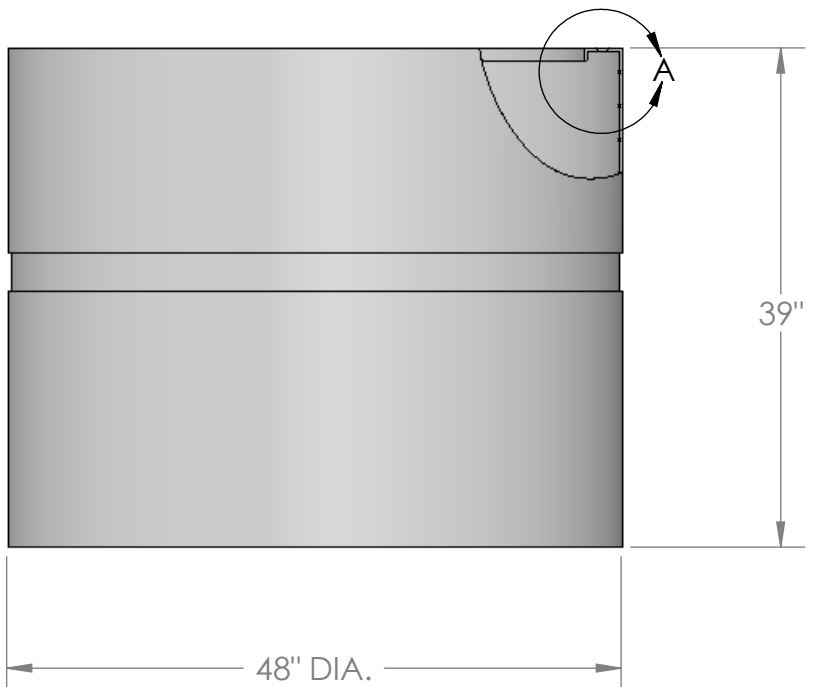
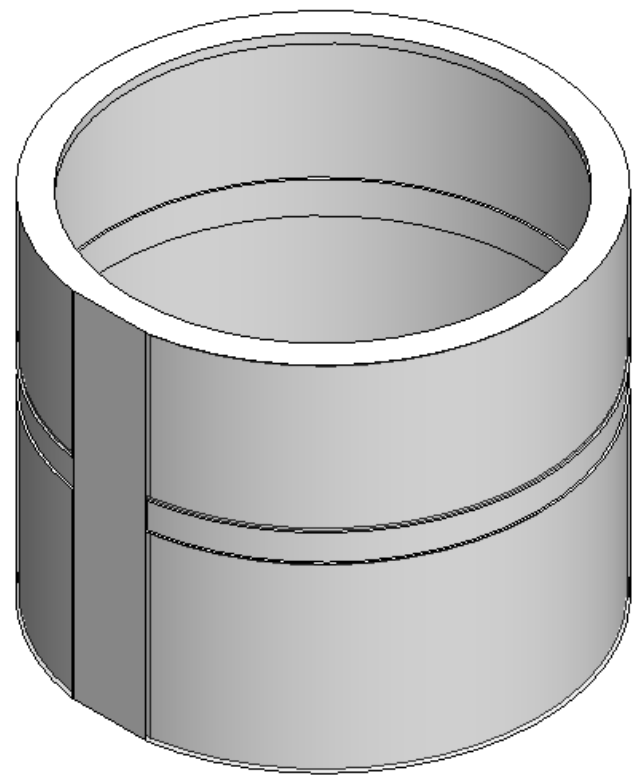
8 7 6 5 4 3 2 1

D  
C  
B  
A

D  
C  
B  
A




DETAIL A  
SCALE 1 : 6



- NOTES:
1. MATERIAL: HDPE
  2. MOLDED WEIGHT: 60 LBS.

**PROPRIETARY AND CONFIDENTIAL**  
THE INFORMATION CONTAINED IN THIS DRAWING IS THE SOLE PROPERTY OF <INSERT COMPANY NAME HERE>. ANY REPRODUCTION IN PART OR AS A WHOLE WITHOUT THE WRITTEN PERMISSION OF <INSERT COMPANY NAME HERE> IS PROHIBITED.

		UNLESS OTHERWISE SPECIFIED:		NAME	DATE	 <b>877-468-2657</b>
		DIMENSIONS ARE IN INCHES TOLERANCES: FRACTIONAL ± ANGULAR: MACH ± BEND ± TWO PLACE DECIMAL ± THREE PLACE DECIMAL ±		DRAWN	6/3/09	
		INTERPRET GEOMETRIC TOLERANCING PER:		CHECKED		<b>TITLE:</b> <b>300 GALLON OPEN TOP TANK</b>
		MATERIAL		ENG APPR.		
NEXT ASSY	USED ON	FINISH		MFG APPR.		<b>SIZE</b> DWG. NO. REV <b>B</b> <b>300 OTT</b>
APPLICATION		DO NOT SCALE DRAWING		Q.A.		SCALE: 1:20 WEIGHT: SHEET 1 OF 1
				COMMENTS:		

8 7 6 5 4 3 2 1