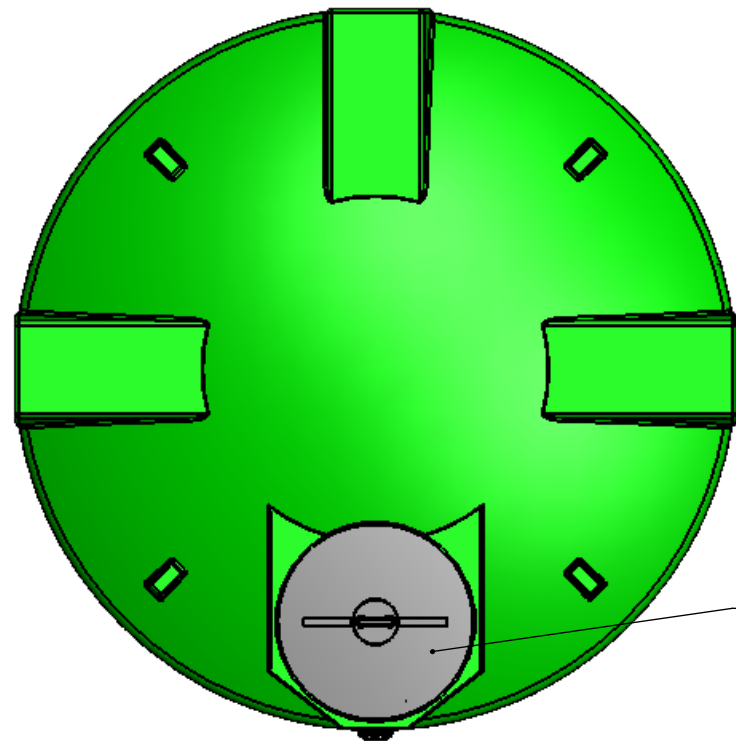
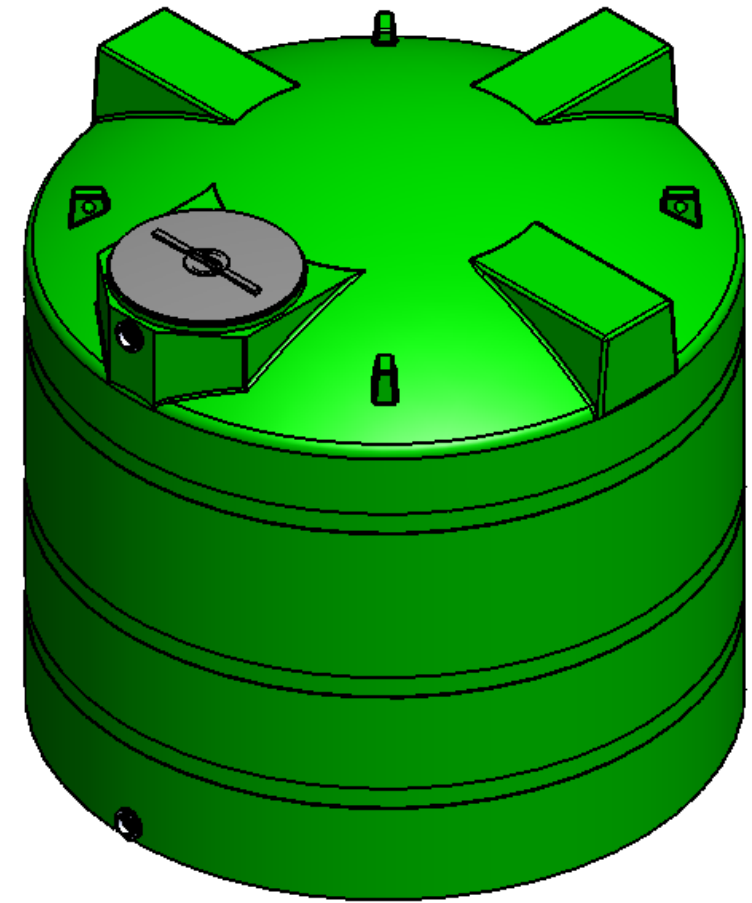


D  
C  
B  
A

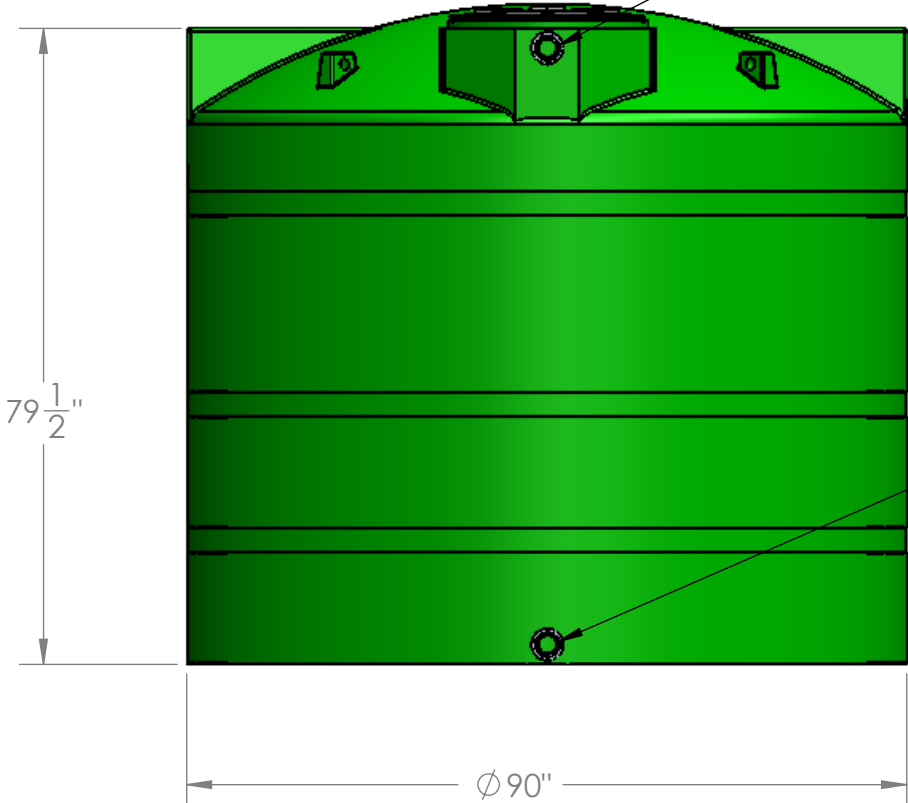
D  
C  
B  
A



24" THREADED LID  
W/BREATHER



2" NPT  
POLYPRO FITTING



79 1/2"


2" NPT  
POLYPRO FITTING

Ø 90"

NOTES:

1. MATERIAL: HDPE
2. COLOR: DARK GREEN
3. WEIGHT: 240 LBS.

**PROPRIETARY AND CONFIDENTIAL**  
THE INFORMATION CONTAINED IN THIS DRAWING IS THE SOLE PROPERTY OF <INSERT COMPANY NAME HERE>. ANY REPRODUCTION IN PART OR AS A WHOLE WITHOUT THE WRITTEN PERMISSION OF <INSERT COMPANY NAME HERE> IS PROHIBITED.

		UNLESS OTHERWISE SPECIFIED:		NAME	DATE	 <b>877-468-2657</b>
		DIMENSIONS ARE IN INCHES TOLERANCES: FRACTIONAL ± ANGULAR: MACH ± BEND ± TWO PLACE DECIMAL ± THREE PLACE DECIMAL ±		DRAWN EBW	12-02-11	
		INTERPRET GEOMETRIC TOLERANCING PER:		CHECKED		TITLE:
		MATERIAL		ENG APPR.		2000 GALLON VERTICAL TANK, FRESH WATER GREEN
		FINISH		MFG APPR.		SIZE DWG. NO. REV
NEXT ASSY	USED ON	DO NOT SCALE DRAWING		Q.A.		<b>B</b> 2000 VT FWG
APPLICATION				COMMENTS:		SCALE: 1:32 WEIGHT: SHEET 1 OF 1