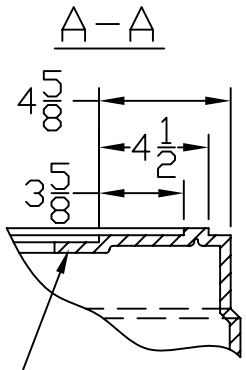
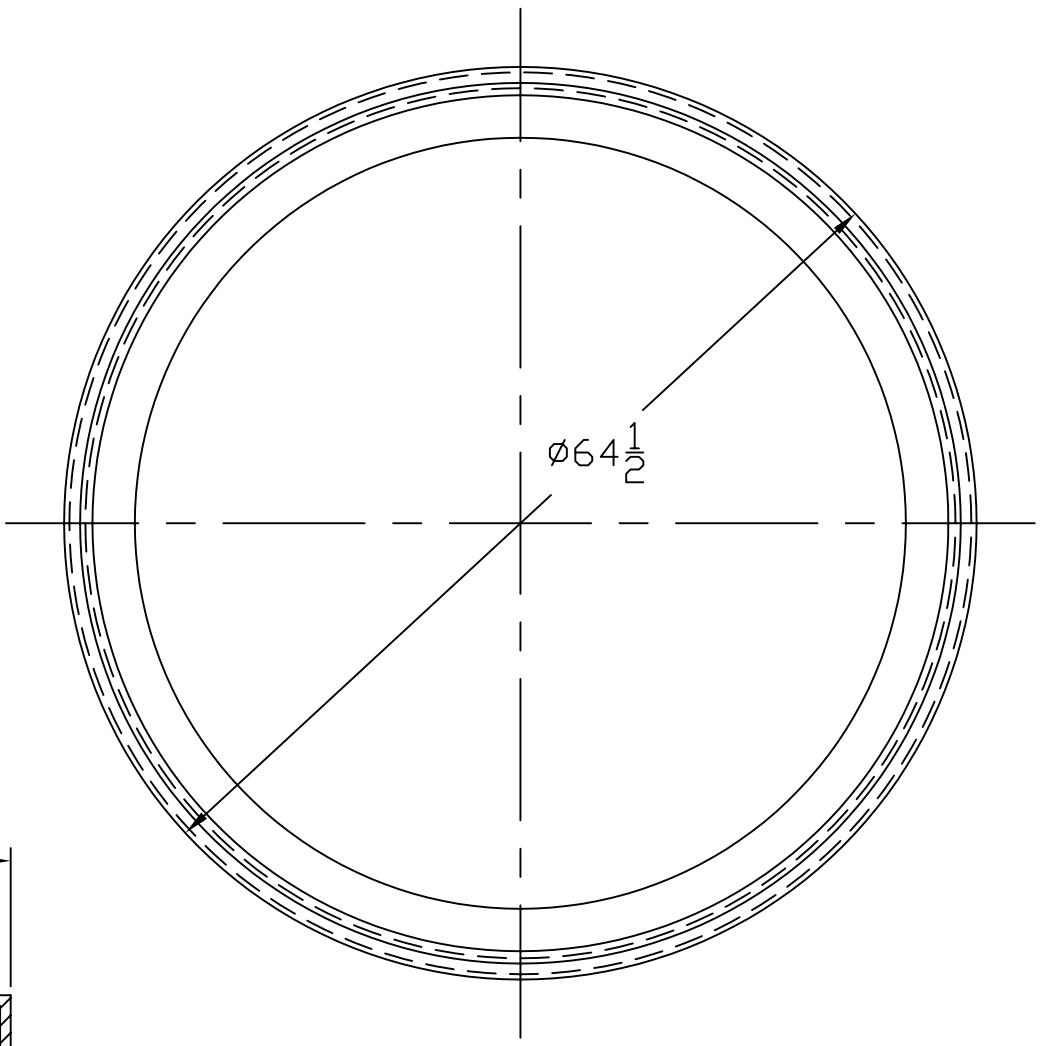
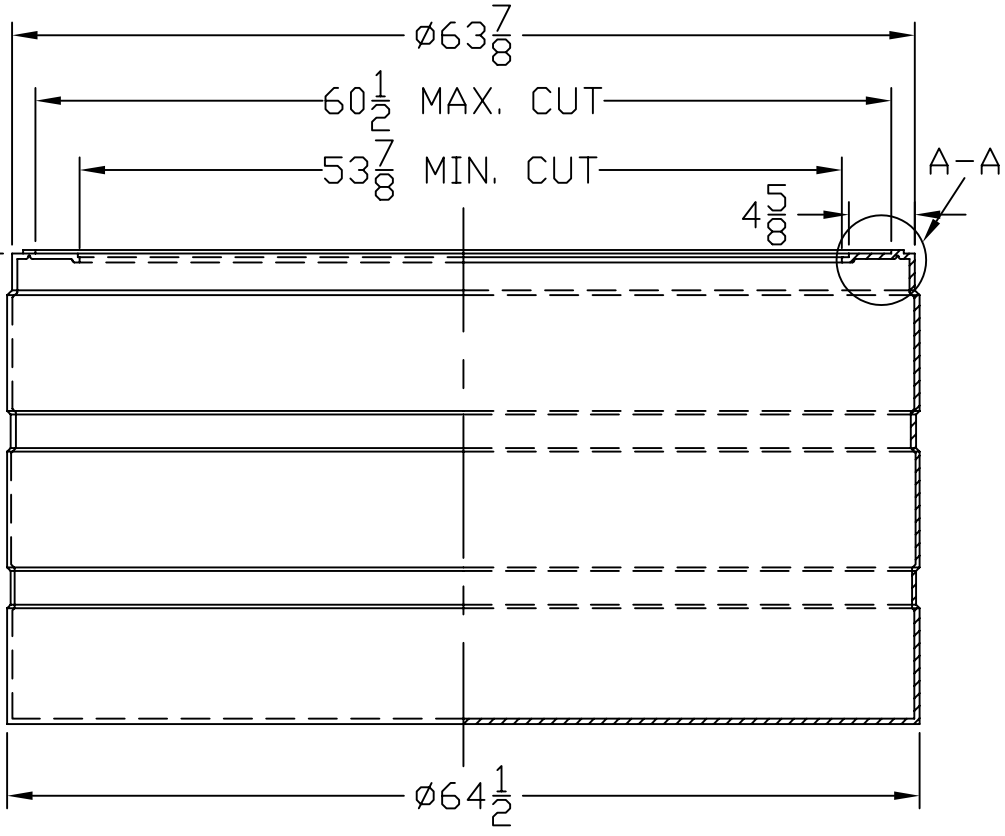


THIS DRAWING & DESIGN IS THE PROPERTY OF CHEM-TAINER INDUSTRIES INC. IT MAY NOT BE USED FOR ANY PURPOSE OTHER THAN BY THE OWNER. CHEM-TAINER DOES NOT AUTHORIZE THE REPRODUCTION OR CONVEYANCE OF ANY INFORMATION CONTAINED HEREIN.

NOMINAL FLANGE IS 2 INCHES



INTERNAL FLANGE



ALL DIMENSIONS SHOWN ARE OUTSIDE PART DIMENSIONS IN INCHES, AND VARY BY THE STANDARD ROTATIONAL MOLDING TOLERANCE OF  $\pm 2\%$ .

Rev. 1	Date 10/04/00	File Name TK6433-A
<b>CHEM-TAINER</b>		
Industries Inc. 361 Neptune Ave. W. Babylon, NY 11704 (631) 661-8300 Fax (631) 661-8209		Mold Location TN
TITLE 385 GAL. CYLINDRICAL CONTAINMENT BASIN		Cust. Rep.
Part # TC64330A	Dwg. # TC64330A-TN	